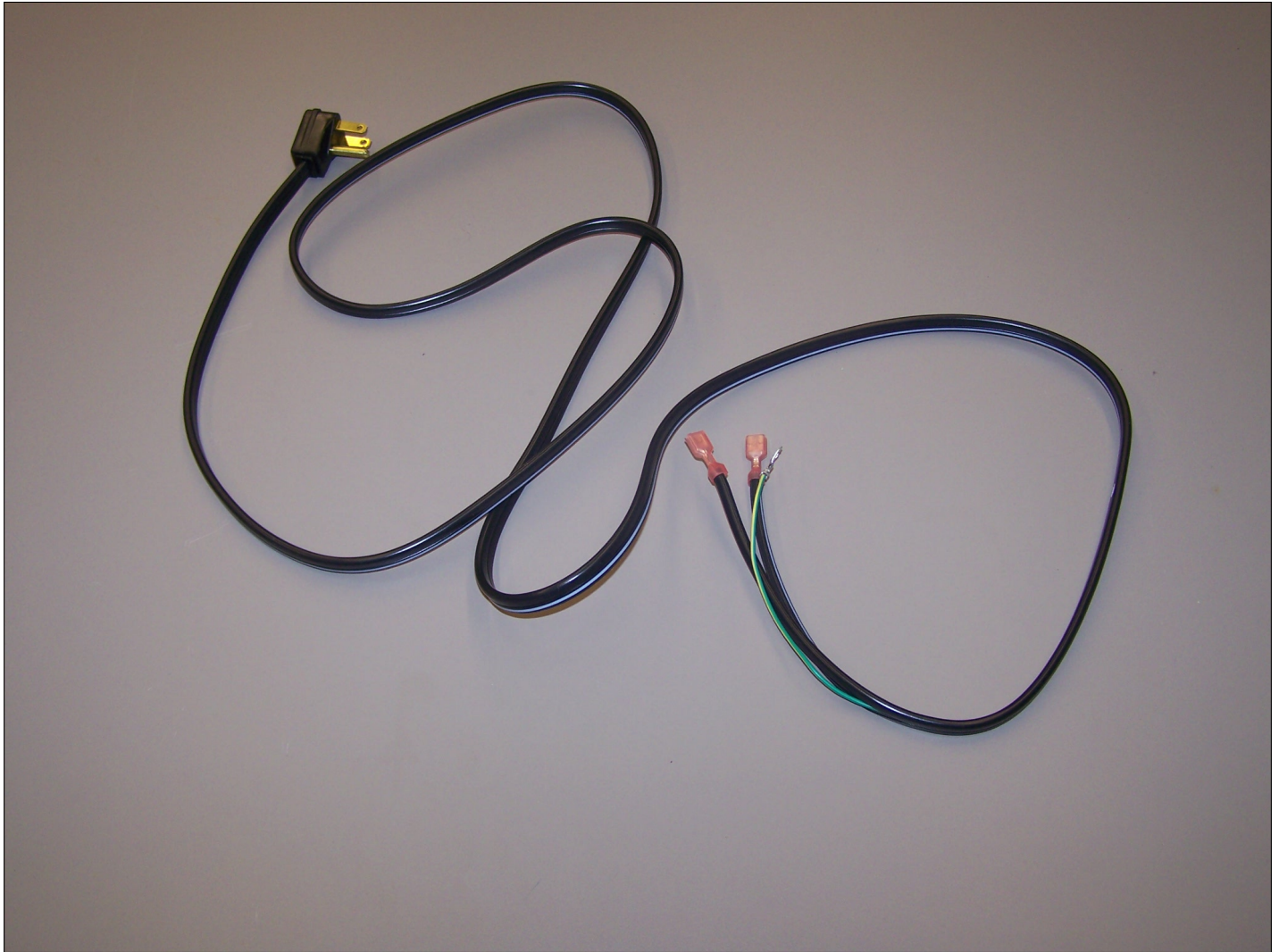


DFBB363JMAGRSERIES

10916507 POWER CORD	1
CONTROL AREA	2
CONVERTIBLE MEAT SAVER	3
EVAPORATOR AREA	4
FREEZER COMPARTMENT	5
FREEZER DOOR FOAM AREA	6
ICE MAKER AREA	7
LOWER UNIT AREA	8
MC COVER AND UPPER GRILLE	9
PE070785 HIGH VOLT HARNESS	10
PE970464 LOW VOLT HARNESS	11
PE970593 CABINET HARNESS	12
PE970609 CONTROL BOARD HARNESS	13
PRODUCE DRAWER	14
REFRIGERANT FLOW	15
REFRIGERATOR COMPARTMENT	16
REFRIGERATOR DOOR FOAM AREA	17
UNIT EXTERIOR	18
UNIT SHELVING	19
UPPER UNIT AREA	20
WATER FLOW	21
Appendix A:Pages Index	A
Appendix B:Parts Index	B



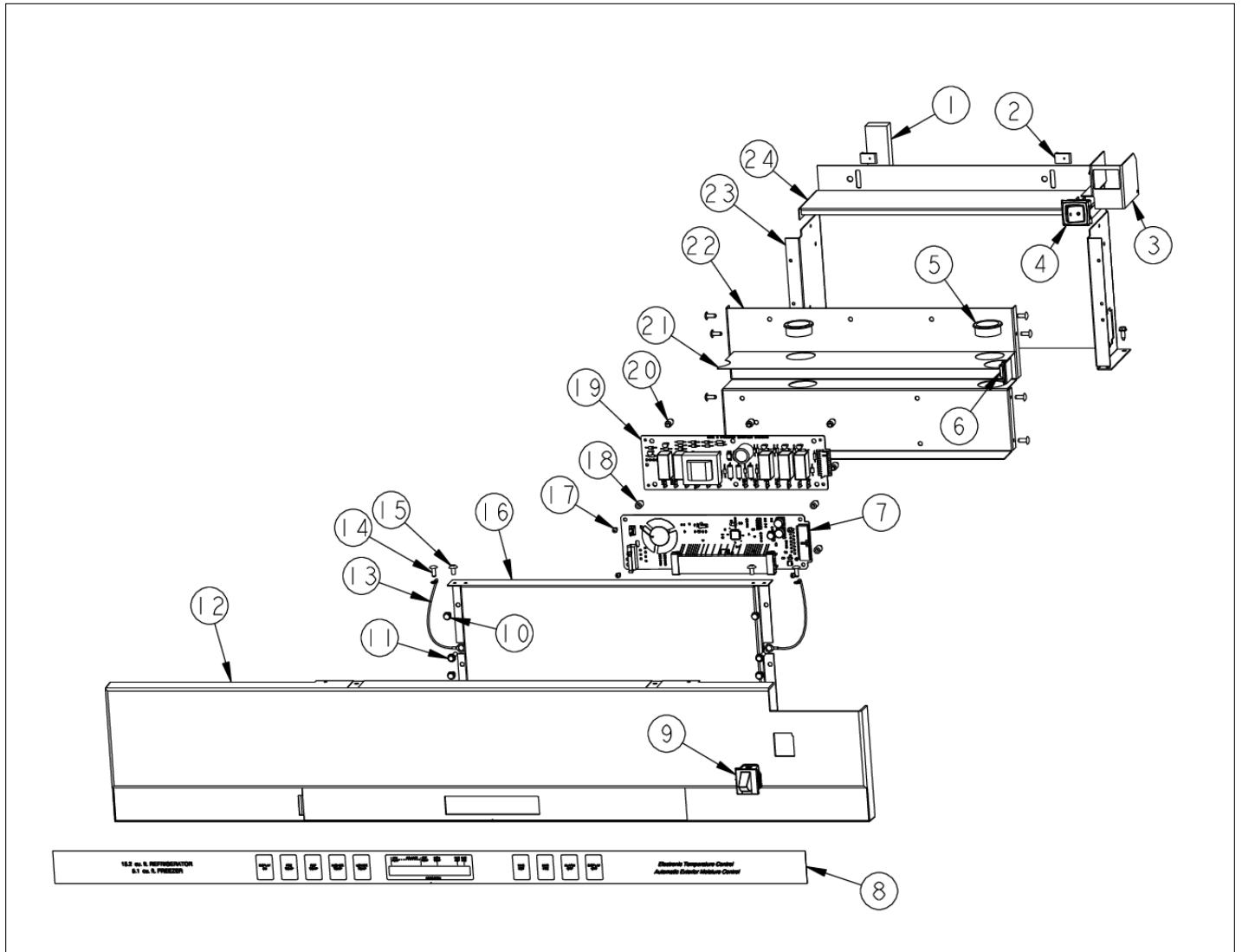
10916507 POWER CORD





Item	Part No.	Name	Qty	Uom	NOTES
1	10916507	CORD-POWER 5 SERIES	1	EA	

CONTROL AREA





Item	Part No.	Name	Qty	Uom	NOTES
1	A3030361	GASKET RED	1	EA	
2	M0288120	NUT-SPEED VM0288120	1	EA	
3	K2098654	Bracket, Power Switch	1	EA	
4	PE950149	SWITCH POWER	1	EA	
5	A4554817	BUSHING-SNAP VA4554817	1	EA	
6	M0104106	CLIP-CORD VM0104106	1	EA	
7	PE070728	BOARD LOW VOLTAGE	1	EA	

Comments for Part Num. PE070728

bradleysapplianceservice@shaw.ca on Apr 27, 2016

COULD ALSO USE: 002670-000 LOW VOLTAGE BOARD KIT ANALOG - INCLUDES WIRE HARNESS

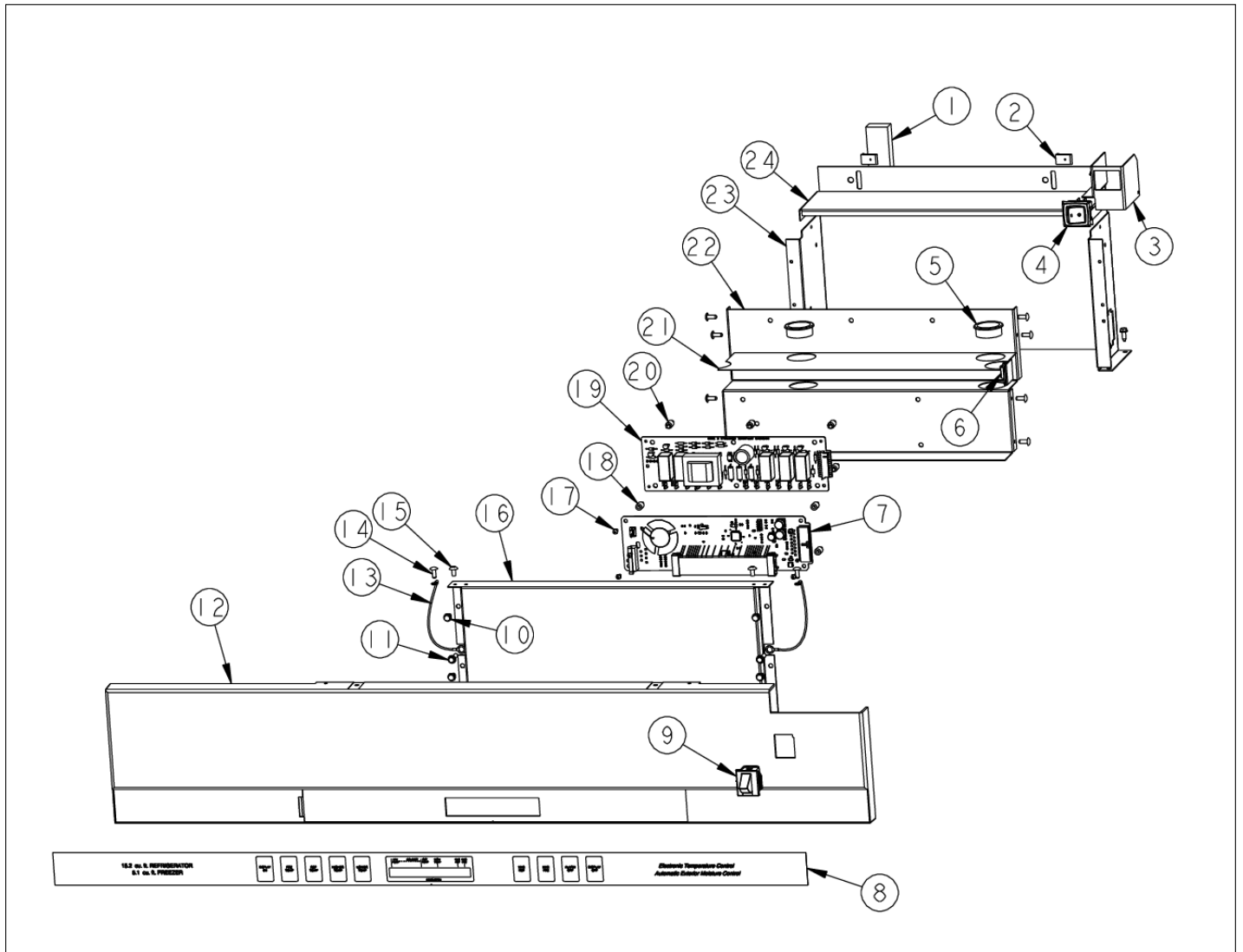
8	PE950174	OVERLAY SWITCH BTM 36	1	EA	
9	PE950122	SWITCH	1	EA	
10	PD020194	SCREW-SM	1	EA	
11	M0238846	SCREW-SHLDR	1	EA	
12	PK030458	PANEL CONTROL AR/BM 36 R	1	EA	
Not Shown	PK030459	PANEL CONTROL AR 36 L	1	EA	
13	12064001	SUPP-CONT PANEL	1	EA	
14	PC040010	POP RIVET (.063/GR -.125) GAMD42-A	1	EA	
15	M0224128	SCREW-SM	1	EA	
16	K20910061	CONTROL BOX FRONT	1	EA	
17	PD020013	TYPE "AB" #6 X 3/8 PH PAN HD. SMS	1	EA	
18	M0585506	SUPPORT	1	EA	
19	005319-000	POWER CONTROL BOARD ASM 5 SERIES	1	EA	

Comments for Part Num. 005319-000

boltz on Apr 12, 2018

See TR-0056-SP Bulletin

20	M0585504	SUPPORT	1	EA	
21	005396-000	FILM,PROTECTIVE	1	EA	
22	K20910060	BRACKET - PC	1	EA	



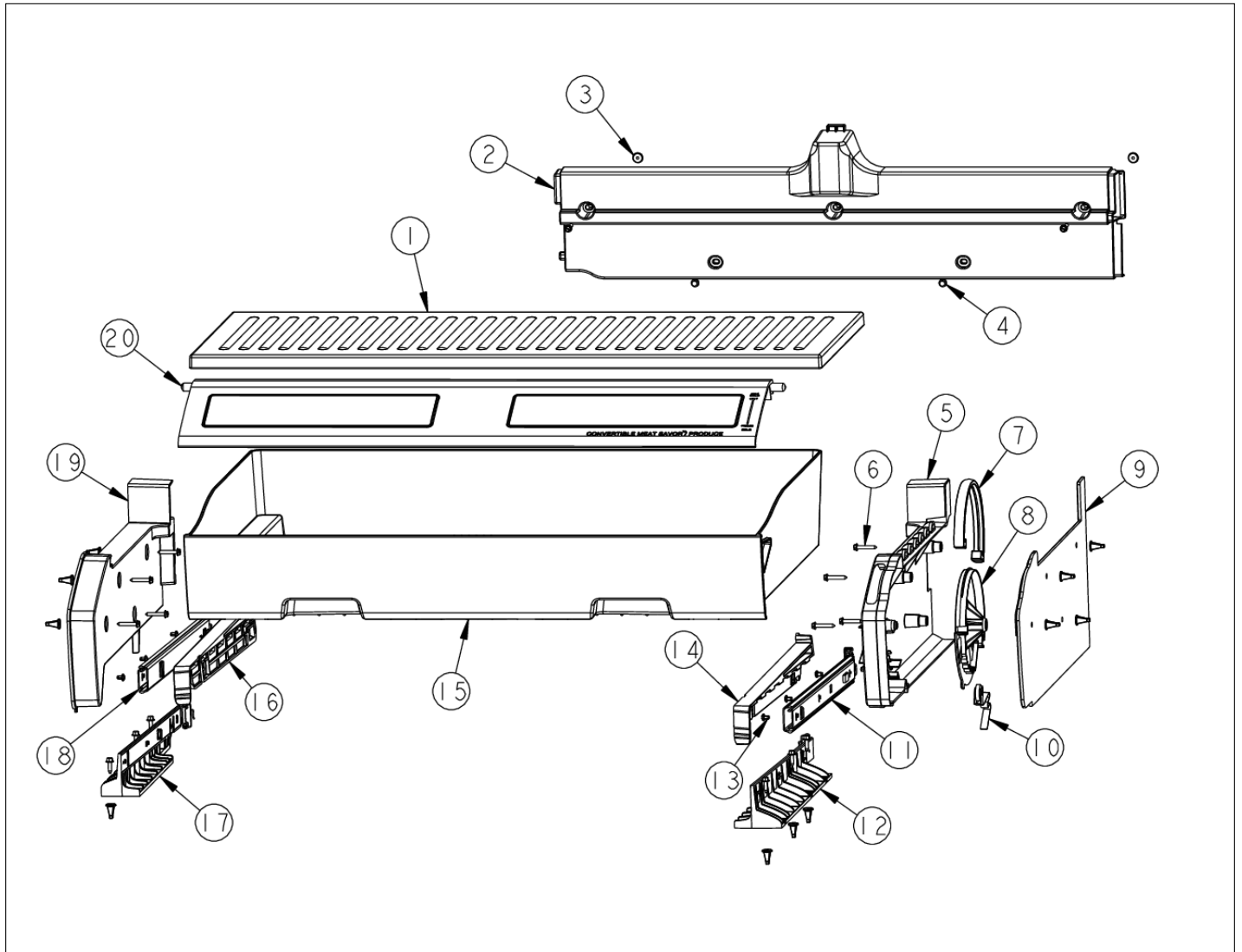


Item	Part No.	Name	Qty	Uom	NOTES
23	K2099402	CONTROL BOX	1	EA	
24	K20915000	CONTROL BOX TOP	1	EA	

Comments for Page: CONTROL AREA

JREXEC02@AOL.COM on Nov 20, 2018
item number 9 should be item number 19.

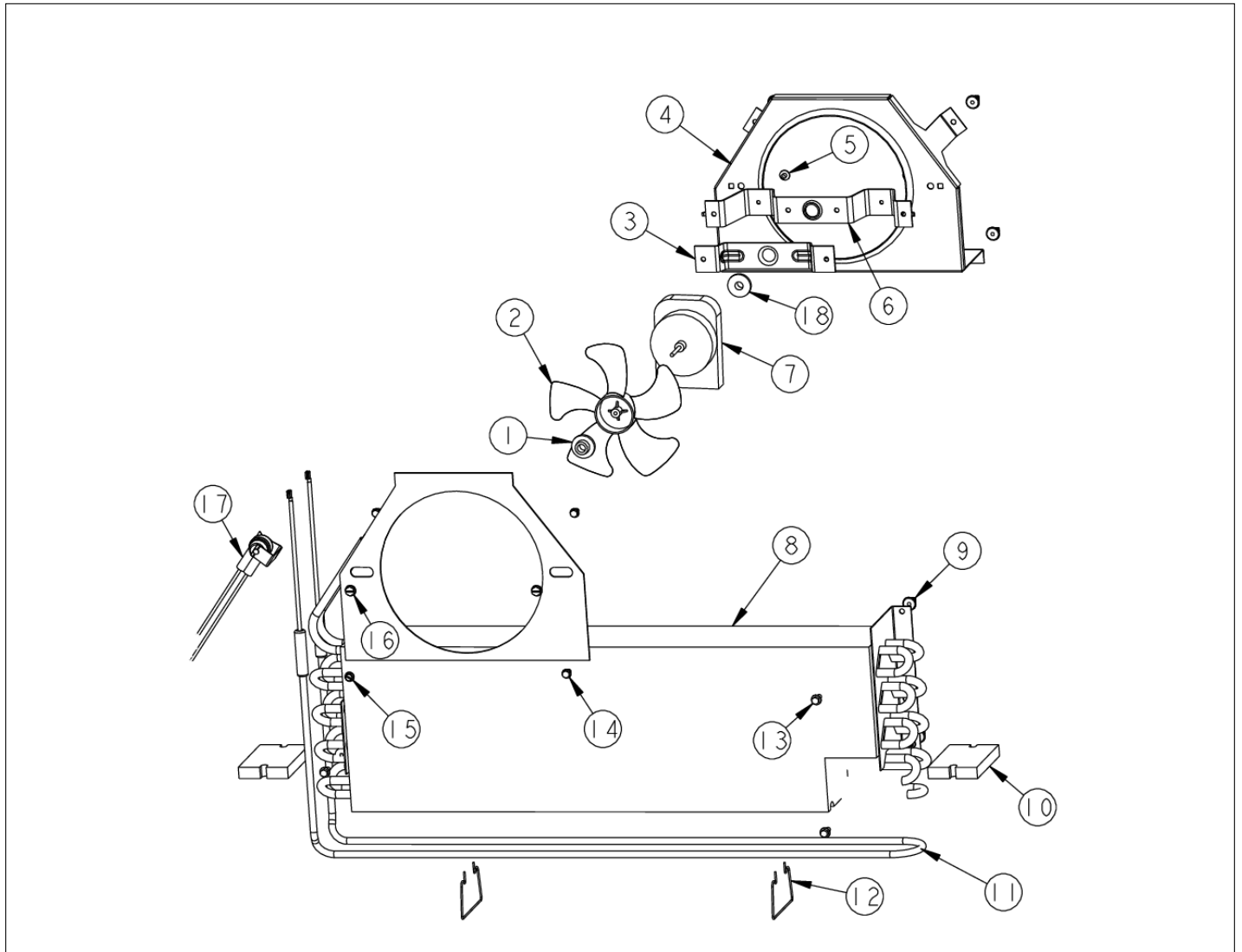
CONVERTIBLE MEAT SAVER





Item	Part No.	Name	Qty	Uom	NOTES
1	PK930286	SHELF MEATSAVOR AR/BM 36	1	EA	
2	PK930388	DUCT, MEATSAVOR REAR BM 36	1	EA	
3	M0581001	GROMMET-SCREW VM0581001	1	EA	
4	PD020195	SCR 8-18 X 5/8	1	EA	
5	044232-000	DUCT MEAT SAVOR (R)	1	EA	
6	M0211021	SCREW-SM	1	EA	
7	PK930172	COVER CONTROL MEAT SAVOR	1	EA	
8	044384-000	DIAL CONTROL MEAT SAVOR	1	EA	
9	PK930283	DUCT MEATSAVOR SPACER	1	EA	
10	PM910334	ROLLER TENSION	1	EA	
11	PM910287	SLIDE MEAT SAVOR R	1	EA	
12	PK930173	SUPPORT SLIDE MEAT SAVOR SXS 42/48 R	1	EA	
13	PD920162	SCR 8-16 PLASTITE PNP 1/4 S	1	EA	
14	PK930175	SUPPORT DRAWER MEAT SAVOR SXS 42/48 R	1	EA	
15	PK930278	DRAWER MEAT SAVOR AR BM 36	1	EA	
16	PK930176	SUPPORT DRAWER MEAT SAVOR 42/48 L	1	EA	
17	PK930174	SUPPORT SLIDE MEAT SAVOR SXS 42/48 L	1	EA	
18	PM910288	SLIDE MEAT SAVOR L	1	EA	
<p>Comments for Part Num. PM910288</p> <p>profixappliances@gmail.com on May 3, 2017</p> <p>ITEM # 5 SHOULD BE PK930288-DOOR MEATSAVOR ASM AR/BM 36</p>					
19	PK930284	DUCT MEATSAVOR LEFT	1	EA	
20	V12223207	DELI LID ASSY 36 BM	1	Wholesale Price	

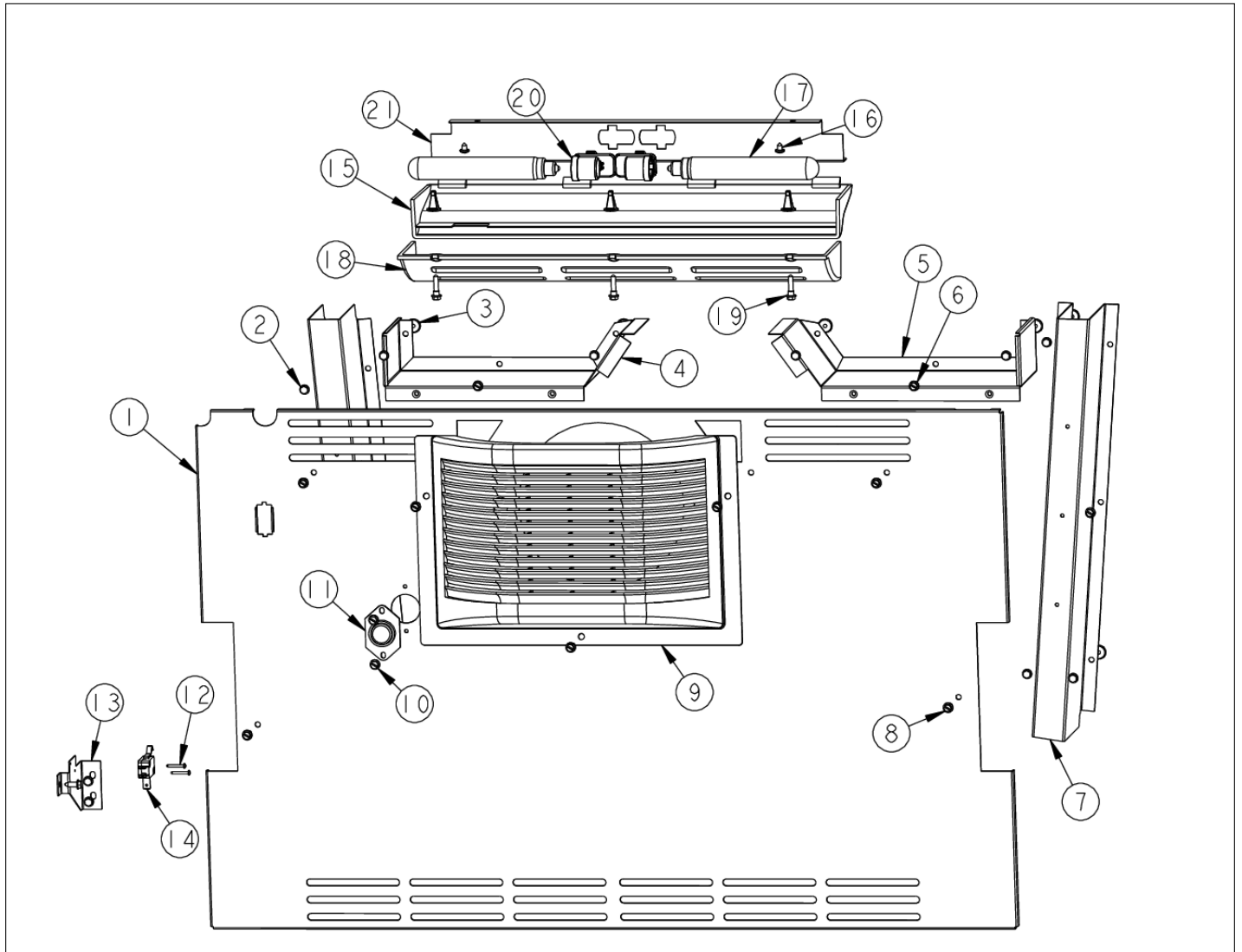
EVAPORATOR AREA





Item	Part No.	Name	Qty	Uom	NOTES
1	A1017202	GROMMET-FAN VA1017202	1	EA	
2	12059901	FAN-EVAP/5.250 V12059901	1	EA	
3	L21910017	BRACKET FAN EVAP -- VEN	1	EA	Not available online / Call for pricing and availability
4	PM910168	SHROUD EVAP FAN BM	1	EA	
5	PD020193	SCR 8-18 X 3/8	1	EA	
6	10656101	BRKT-MTR UP STEEL V1065601Q	1	EA	
7	PE950153	MOTOR EVAP FAN	1	EA	
8	PM910178	BOTTOM MOUNT EVAP	1	EA	
9	M0581001	GROMMET-SCREW VM0581001	1	EA	
10	12067301	BLOCK-L EVAP V12067301	1	EA	
11	PJ910030	BOTTOM MOUNT EVAP HEATER	1	EA	
12	10428101	CLIP-EVAP HTR V10428101	1	EA	
13	PD020195	SCR 8-18 X 5/8	1	EA	
14	PD020194	SCREW-SM	1	EA	
15	M0232929	SCREW-SE	1	EA	
16	PD020038	SCREW-#10 X 3/8 HEX WH.HD.T(F)GREEN	1	EA	
17	058966-000	THERMOSTAT, SNAP ACTION, 55 OPEN 20 CLOSE	1	EA	

FREEZER COMPARTMENT





Item	Part No.	Name	Qty	Uom	NOTES
1	000247-000	COVER, EVAP, BM	1	EA	
2	PD020194	SCREW-SM	1	EA	
3	M0581001	GROMMET-SCREW VM0581001	1	EA	
4	K2097168	BRKT DIVIDER L	1	EA	
5	K2097169	BRKT DIVIDER R	1	EA	
6	M0232929	SCREW-SE	1	EA	
7	K2097172	RETURN AIR CHANNEL	1	EA	
8	M0211018	SCREW-SM	1	EA	
9	12063301	COVER-FZ FAN V12063301	1	EA	
10	M0211014	SCREW-SM	1	EA	Not available online / Call for pricing and availability
11	C8983701	THERMISTOR	1	EA	
12	M0213105	SCREW-SM	1	EA	
13	K2098398	36" BM SWITCH MOUNTING BRKT	1	EA	
14	003471-000	SWITCH SNAP-ACTION BM 36	1	EA	
15	12074501	COVER-FZ LIGHT	1	EA	
16	M0223729	SCREW-SM #	1	EA	
17	004528-000	LAMP, 40 WATT CLEAR LIGHT	1	EA	
18	PK930253	LENS LIGHT BM 36" FZ	1	EA	
19	M0238846	SCREW-SHLDR	1	EA	
20	PE950125	LIGHT SOCKET	1	EA	
21	L2098313	BRACKET, LT, 36 BTM, FZ	1	EA	

Comments for Page: FREEZER COMPARTMENT

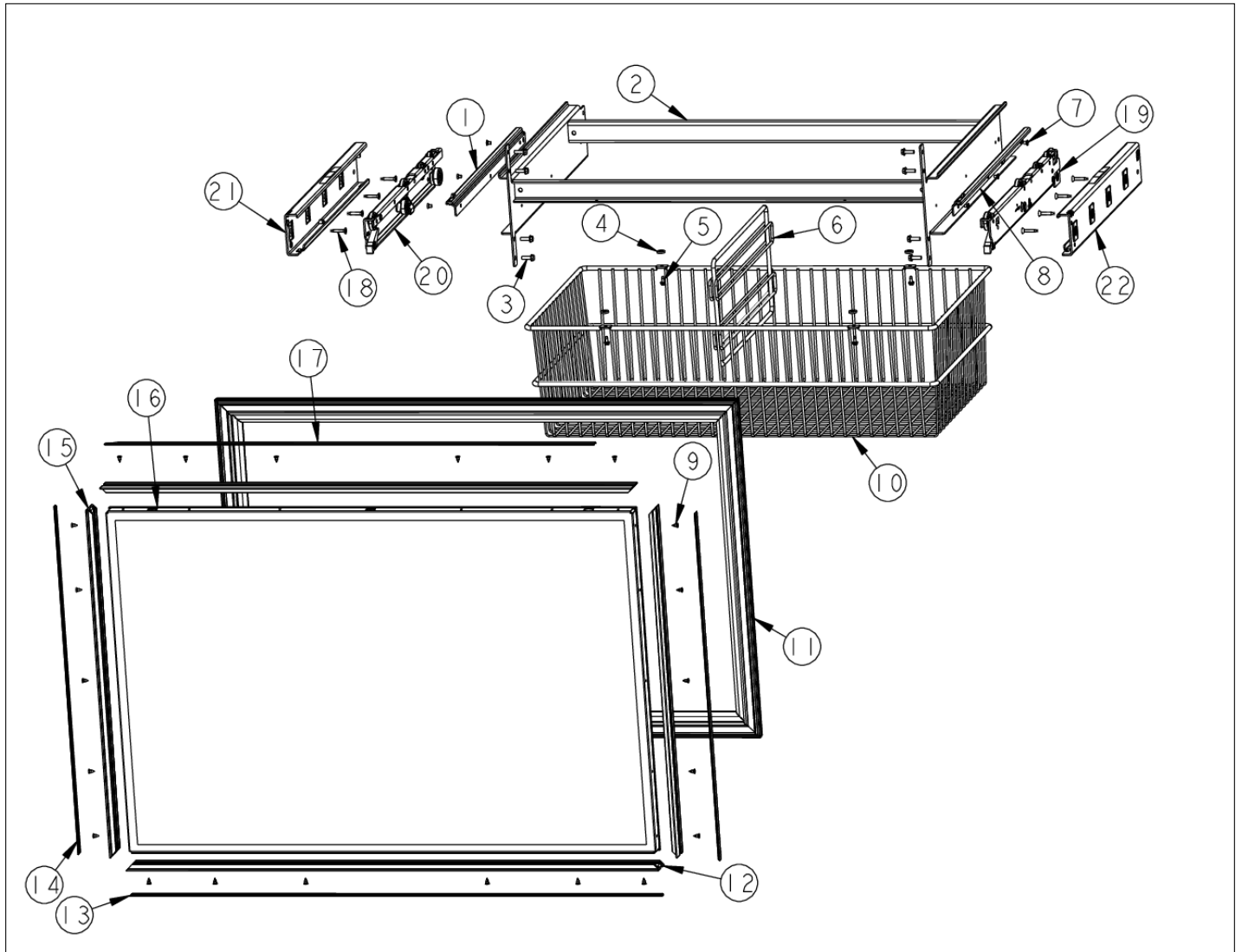
JREXEC02@AOL.COM on Nov 20, 2018

Item number 1 should be item number 11

Reply by JREXEC02@AOL.COM on Nov 20, 2018

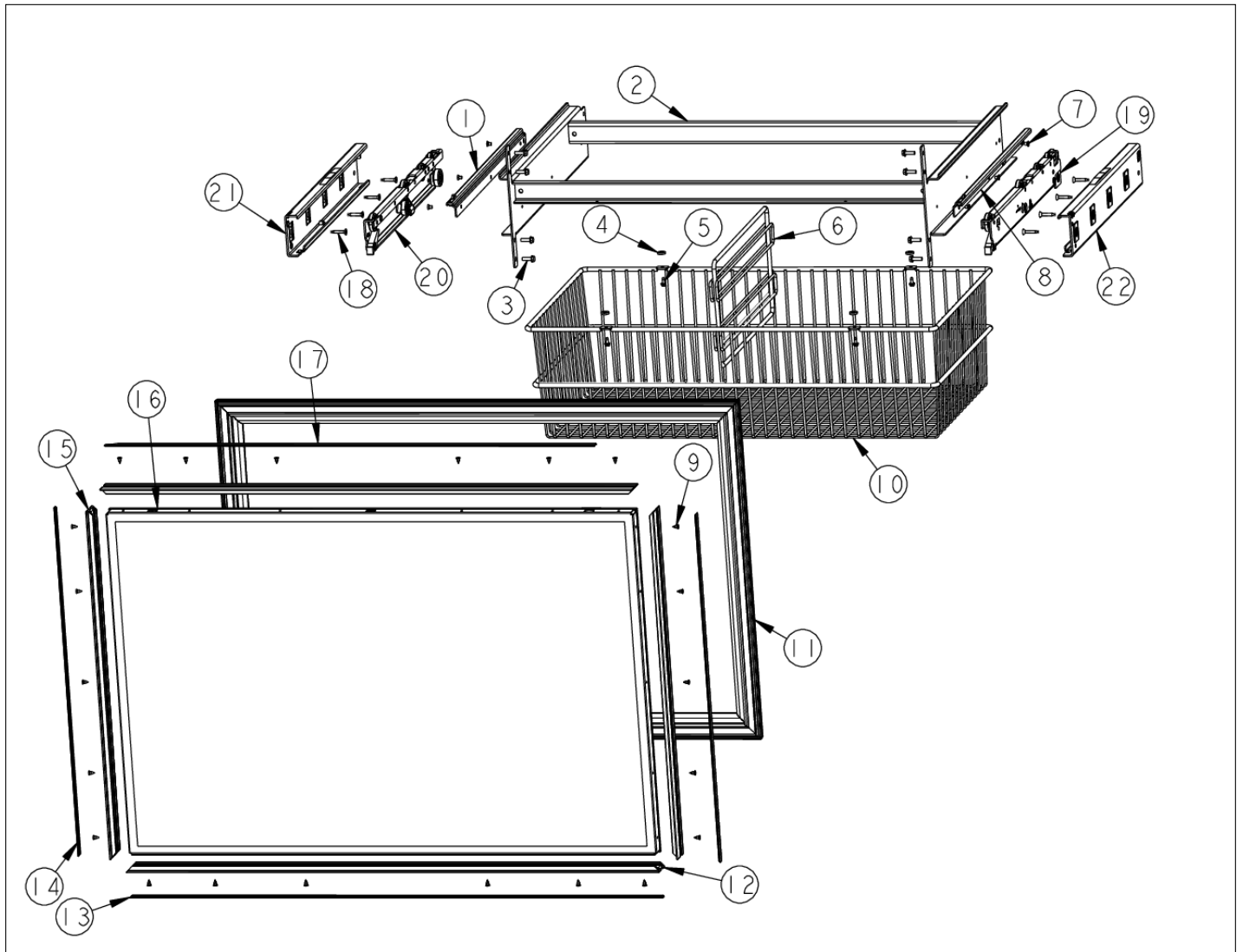
Actually there at 2 items numbered 1. The thermistor should be item 11.

FREEZER DOOR FOAM AREA





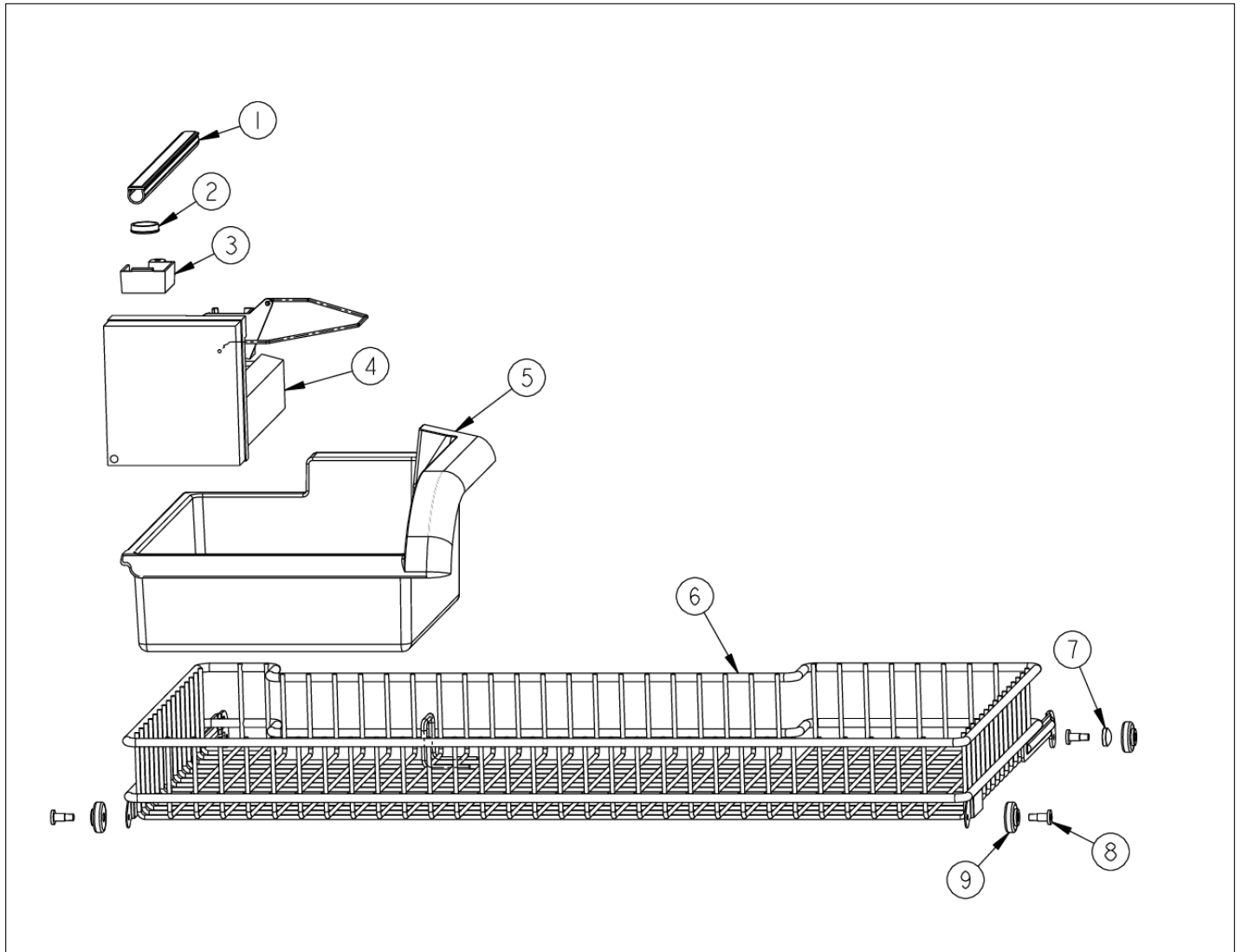
Item	Part No.	Name	Qty	Uom	NOTES
1	PC080027	INNER MEMBER, SLIDE BM 36 (LH)	1	EA	
2	PM010622	FRAME BASKET ASM 36 BM	1	EA	
3	023005-000	SCREW-TF	1	EA	
4	M0274067	WASHER-NYLON	1	EA	
5	M0253916	SCR 8-32 SHXW 3/8 TRI-LOBE	1	EA	
6	003995-000	DIVIDER, BOT BASKET	1	EA	
7	001091-000	NO.8-32X1/4 FLAT PHIL HD TAPTITE	1	EA	
8	PC080030	INNER MEMBER, SLIDE BM 36 (RH)	1	EA	
9	M0215704	SCREW-SM	1	EA	
10	PM910172	BASKET BOTTOM 36 BM FZ	1	EA	
11	001904-000	SERV. FREEZER GASKET FACE CHARGE	1	EA	
Not Shown	NOTE	(BEFORE 06-10-08)		EA	
11	005450-000	GASKET,ASM,36,BM FZ VID# 602711717-17	1	EA	
Not Shown	NOTE	(ON OR AFTER 06-10-08)		EA	
12	PM910099	FRAME DOOR BM TOP/BTM 12063501 - NLA	1	EA	
13	PM910094	Screw Cover Insert, Top/Btm (Ref.) - Btm (Frz.)	1	EA	
14	PM910095	Screw Cover Insert, Side (Frz.)	1	EA	
15	PM910100	FRAME DOOR BM FZ SIDE 12063502	1	EA	NO LONGER AVAILABLE
16	G50916475	DOOR FOAM AND GASKET ASSY 36 BM FZ	1	EA	
Not Shown	NOTE	(Includes Gasket)		EA	
17	PM910108	Screw Cover Insert, Top (Frz.)	1	EA	
18	PD920174	10X7/8 PHILLIPS SMA TRI LOBE SA	1	EA	
19	057857-000	MIDDLE MEMBER, SLIDE, BM 36, LH (83104)	1	EA	
20	057856-000	MIDDLE MEMBER, SLIDE, BM 36, RH (83103)	1	EA	
21	PC080028	OUTER MEMBER, SLIDE RH (83102)	1	EA	





Item	Part No.	Name	Qty	Uom	NOTES
22	PC080025	OUTER MEMBER, SLIDE LH (83101)	1	EA	

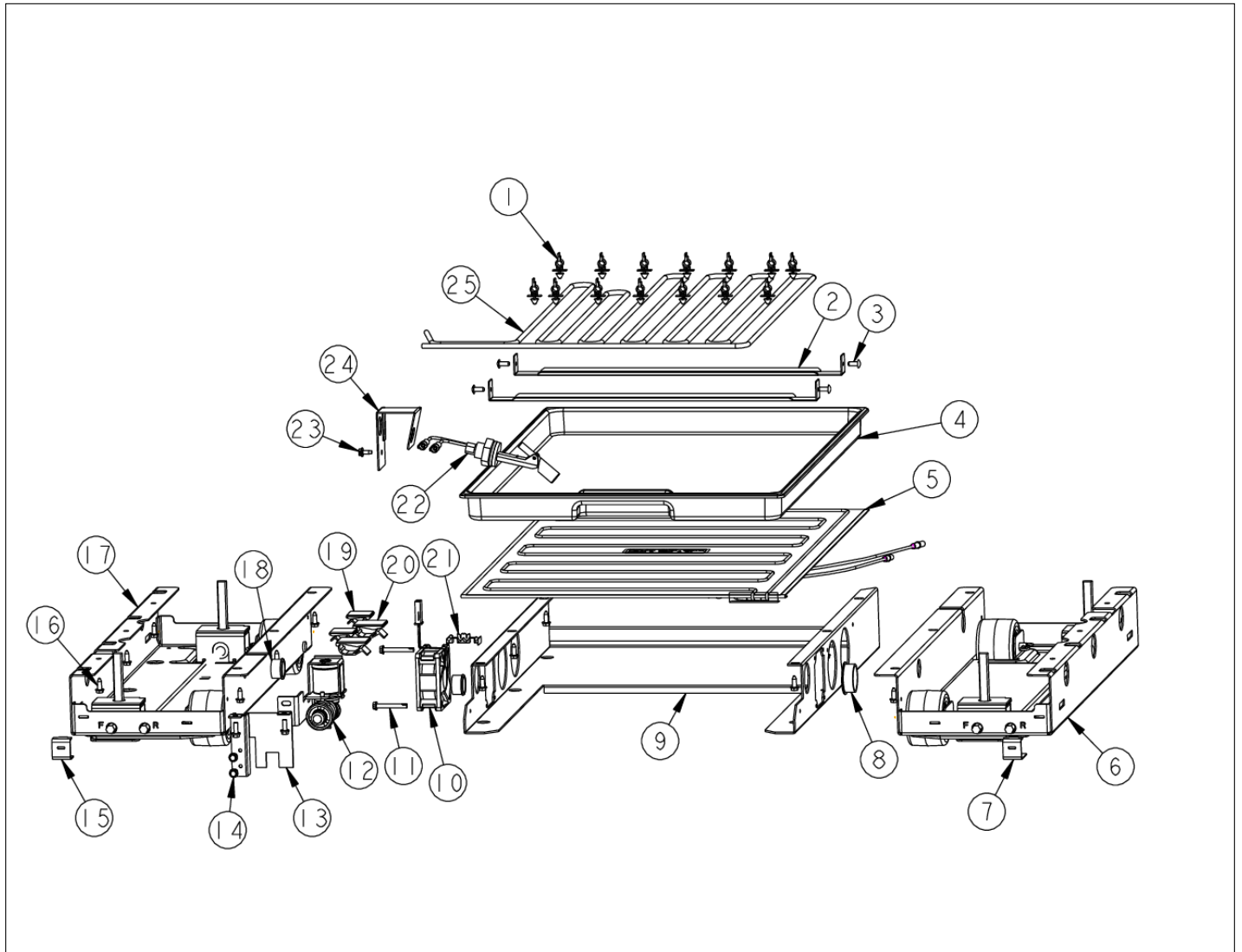
ICE MAKER AREA





Item	Part No.	Name	Qty	Uom	NOTES
1	10253003	WIRING COVER	1	EA	Not available online / Call for pricing and availability
2	A4554818	BUSHING-SNAP VA4554818	1	EA	
3	12106101	COVER-WIRING V12106101	1	EA	
4	G50911850	ICE MAKER ASMY, BM	1	EA	
<p>Comments for Part Num. G50911850</p> <p>bradleysapplianceservice@shaw.ca on Jan 7, 2016 ICE MAKER BAIL ARM ACCESSORY KIT NUMBER 002251-000 -BAIL ARM (BOTTOM MOUNT) -BAIL ARM (DISPENSER AND NON-DISPENSER SIDE BY SIDE, ALL FREEZER) -ICE MAKER SHUTOFF WIRE</p> <p>ICE MAKER KIT NUMBER 002252-000 -ICE MAKER -ICE MAKER COVER -ICE MAKER LABEL -FILL CUP CLIP</p> <p>ICE MAKER WIRE HARNESS KIT NUMBER 002253-000 -ICE MAKER HARNESS -WIRE CLAMP</p>					
5	PK930056	PAN ICE (BM)	1	EA	
6	PM010630	BASKET, TOP	1	EA	
7	PD020270	CAP, SCREW	1	EA	
8	PD020189	SHSCR 12/28 AB SKT .641	1	EA	
9	12088001	ROLLER-UP BSKT	1	EA	

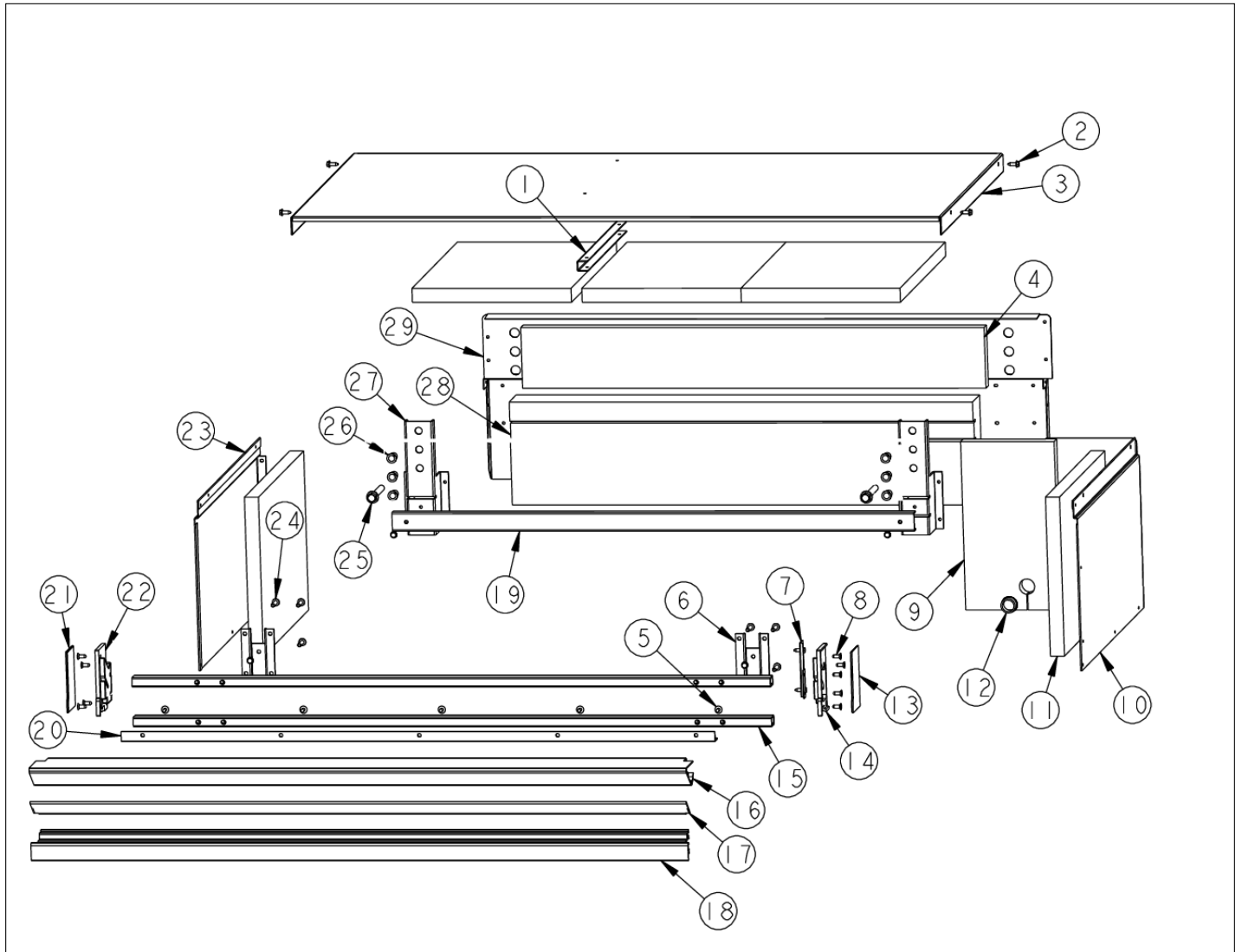
LOWER UNIT AREA





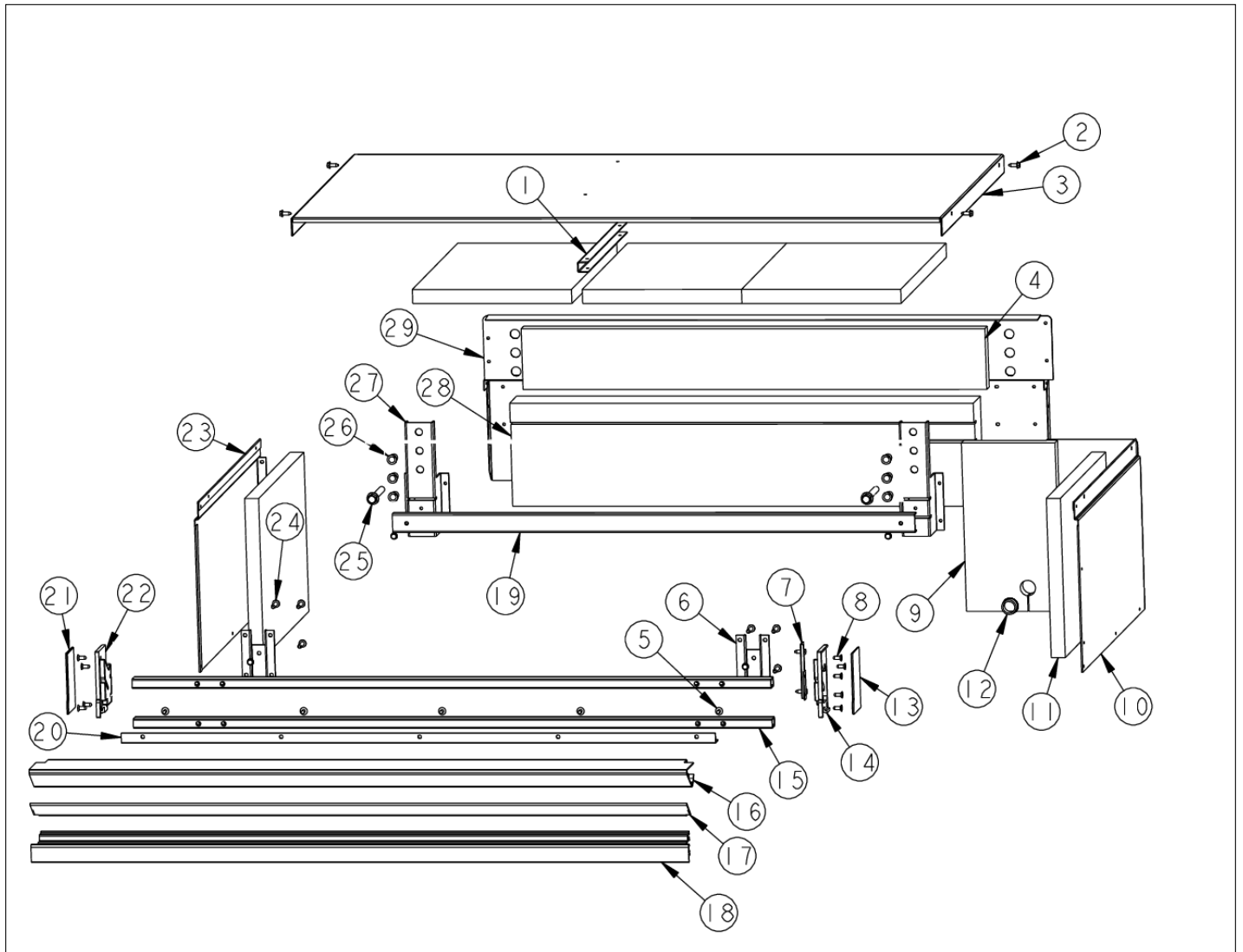
Item	Part No.	Name	Qty	Uom	NOTES
1	PD030146	STAND OFF LOCK CLIP	1	EA	
2	K20911831	BRACKET CONDENSATE SUPPORT	1	EA	
3	PC040010	POP RIVET (.063/GR -.125) GAMD42-A	1	EA	
4	PK930348	PAN DRAIN	1	EA	
5	G50911853	TRAY PAN HEATER	1	EA	
6	060890-000	LEVELER MODULE R	1	EA	
7	K2098044	BRKT GRILLE SUPPORT	1	EA	
8	A4554817	BUSHING-SNAP VA4554817	1	EA	
9	K20915952	SHIELD BOTTOM DRAIN	1	EA	
10	004551-000	AXIAL FAN	1	EA	
<p>Comments for Part Num. 004551-000</p> <p>gboltz@VikingRange.com on Jul 21, 2016</p> <p>View service bulletin TR-0052-SP before ordering fan, if applicable order kit instead of fan</p>					
11	PD020274	SCR SLTD HEX WSHR HD 8X1.250 BT	1	EA	
12	PA970012	SINGLE WATER VALVE	1	EA	
13	K20913788	BRKT VALVE H2O SINGLE	1	EA	
14	M0220417	SCREW-TC	1	EA	
15	K2098096	BRKT GRILLE SUPPORT	1	EA	
16	PD020194	SCREW-SM	1	EA	
17	060891-000	LEVELER MODULE L	1	EA	
18	A4554806	BUSHING-SNAP VA4554806	1	EA	
19	M0104106	CLIP-CORD VM0104106	1	EA	
20	M0104102	CLIP-CORD RED	1	EA	
21	M0327801	TAP-ELECTRO	1	EA	
22	PE050248	FLOAT SWITCH HORIZONTAL	1	EA	
23	M0253916	SCR 8-32 SHXW 3/8 TRI-LOBE	1	EA	
24	B20915627	BRACKET HORIZ FLOAT SWITCH	1	EA	
25	F20915696	SERPENTINE CONDENSER DRAIN	1	EA	

MC COVER AND UPPER GRILLE





Item	Part No.	Name	Qty	Uom	NOTES
1	K2099455	SUPPORT MC Z	1	EA	
2	PD020194	SCREW-SM	1	EA	
3	K2099931	MC TOP 36	1	EA	
4	PB070358	INSULATION MC COVER	1	EA	
5	M0224128	SCREW-SM	1	EA	
6	PK050004	BRACKET GRILLE 5 SERIES	1	EA	
7	K2099470	BRACKET GRILLE SUPPORT R	1	EA	
Not Shown	K2099471	BRACKET GRILLE SUPPORT L	1	EA	
8	M0215318	SCREW-SM	1	EA	
9	PB910171	BACK SIDE MC INSULATION	1	EA	Not available online / Call for pricing and availability
10	K2099459	MC SIDE (RIGHT)	1	EA	
11	PB070355	INSULATION MC COVER	1	EA	
12	A4554806	BUSHING-SNAP VA4554806	1	EA	
13	PM910072	COVER - END CAP	1	EA	
14	PM910348	ENP CAP GRILLE R	1	EA	
15	042922-000	BRACKET, GRILLE	1	EA	
16	PM910418	GRILLE LOUVER UPPER AF AR 36 DES FOL	1	EA	NO LONGER AVAILABLE
17	PM910429	GRILLE LOUVER MID AF AR 36 DES FOL	1	EA	
18	PM010581	GRILLE LOWER 36 BM RH	1	EA	Not available online / Call for pricing and availability
19	K20915902	CROSSMEMBER PSM 36	1	EA	
20	002035-000	GRILLE EXTENSION, BM36	1	EA	
21	PM910071	COVER - END CAP 12119801	1	EA	
22	PM910349	END CAP GRILLE L	1	EA	
23	K2099460	MC SIDE L	1	EA	
24	M0213147	SCREW-SM	1	EA	
25	PD020233	SCR LAG 5/16-9 GX 5/16X7/16 WAF IHXW 3 S ZN	1	EA	
26	PD040157	BEARING SLEEVE	1	EA	

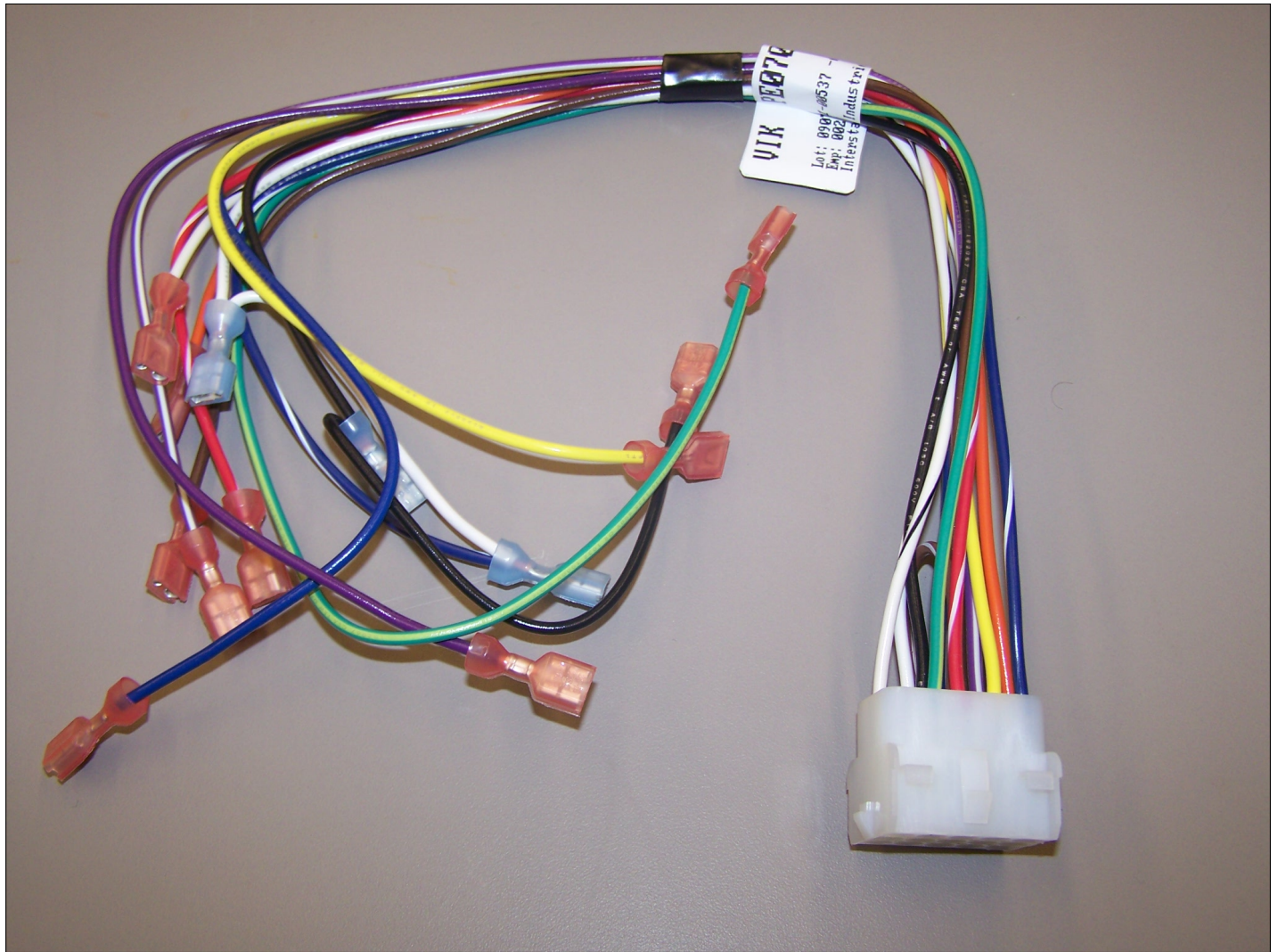




Item	Part No.	Name	Qty	Uom	NOTES
27	K20915675	BRACKET PSM	1	EA	
28	PB070359	INSULATION MC COVER	1	EA	
29	K2099933	MC BACK 36	1	EA	



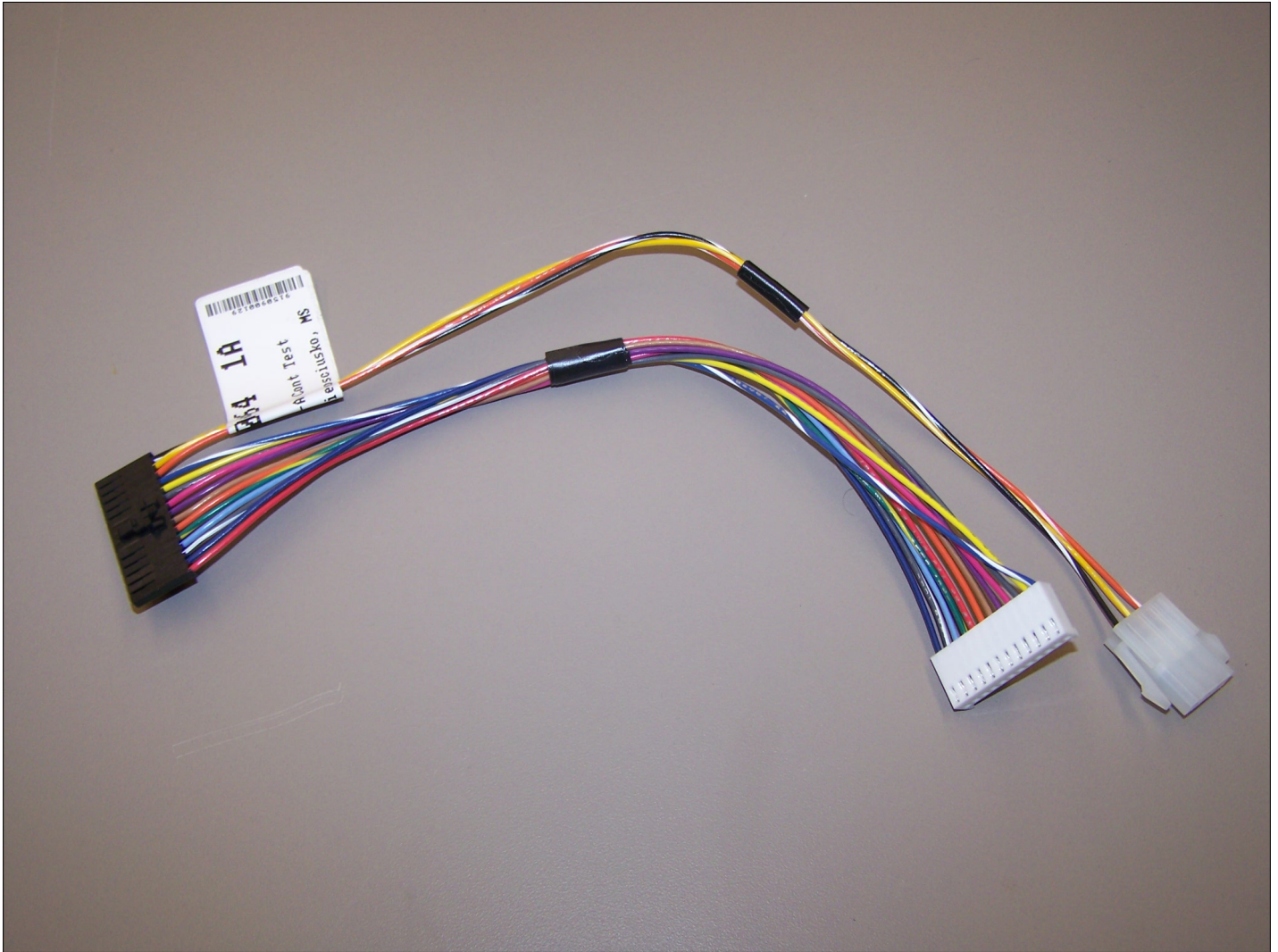
PE070785 HIGH VOLT HARNESS





Item	Part No.	Name	Qty	Uom	NOTES
1	PE070785	Harness, High Voltage Board	1	EA	

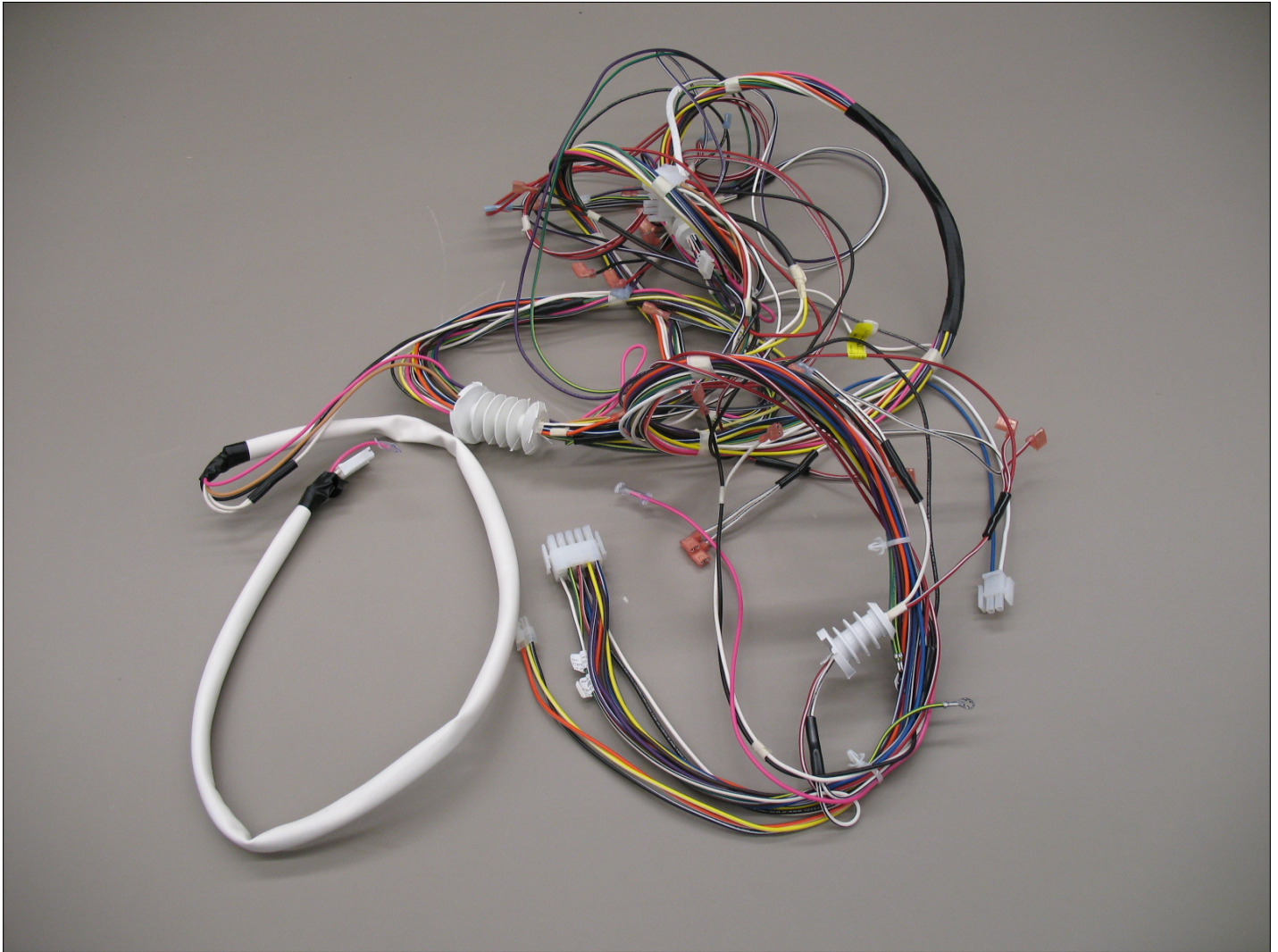
PE970464 LOW VOLT HARNESS





Item	Part No.	Name	Qty	Uom	NOTES
1	PE970464	HARNESS LOW VOLT 5 SERIES	1	EA	

PE970593 CABINET HARNESS

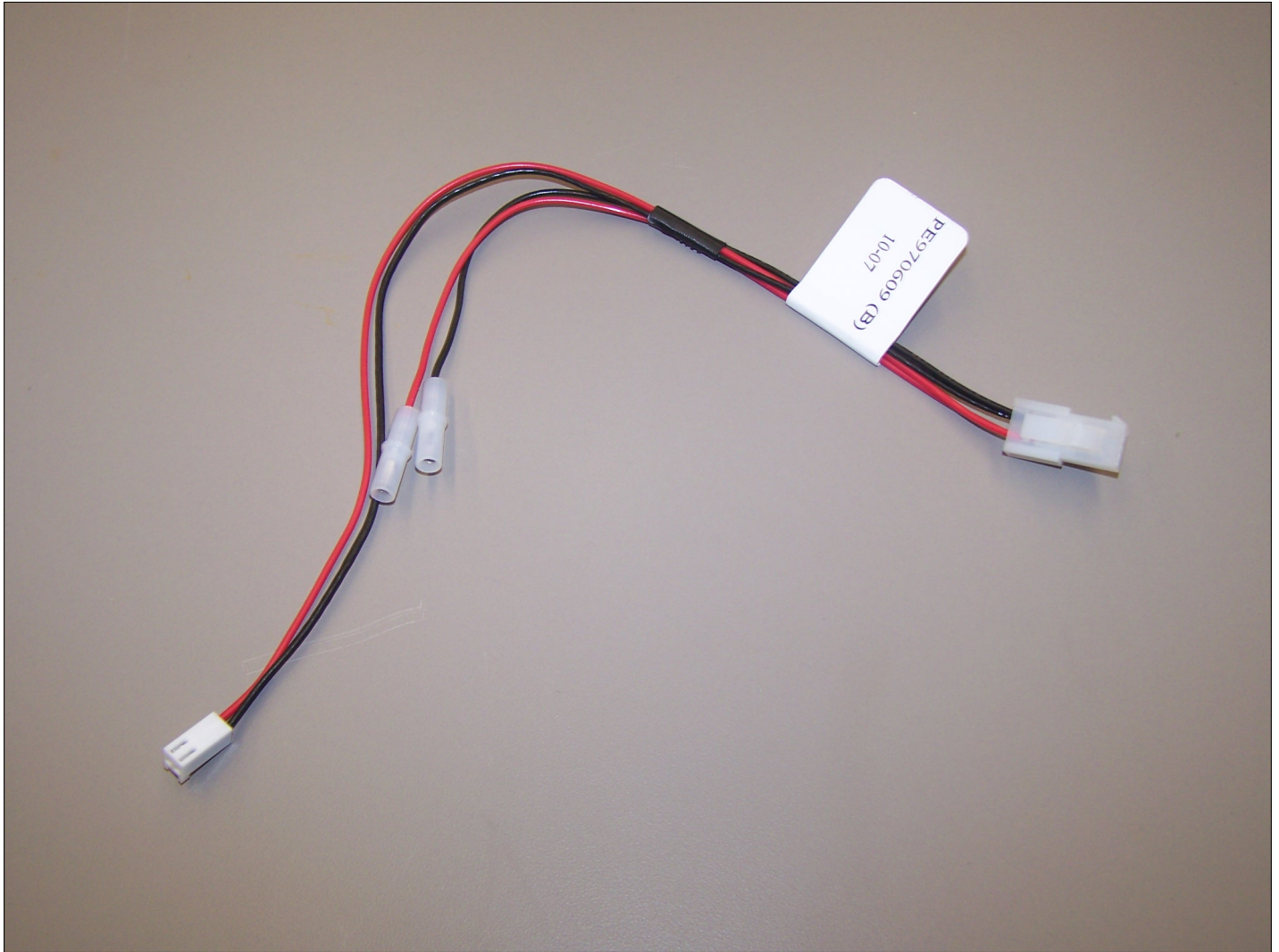




Item	Part No.	Name	Qty	Uom	NOTES
1	PE970593	CABINET HARNESS	1	EA	



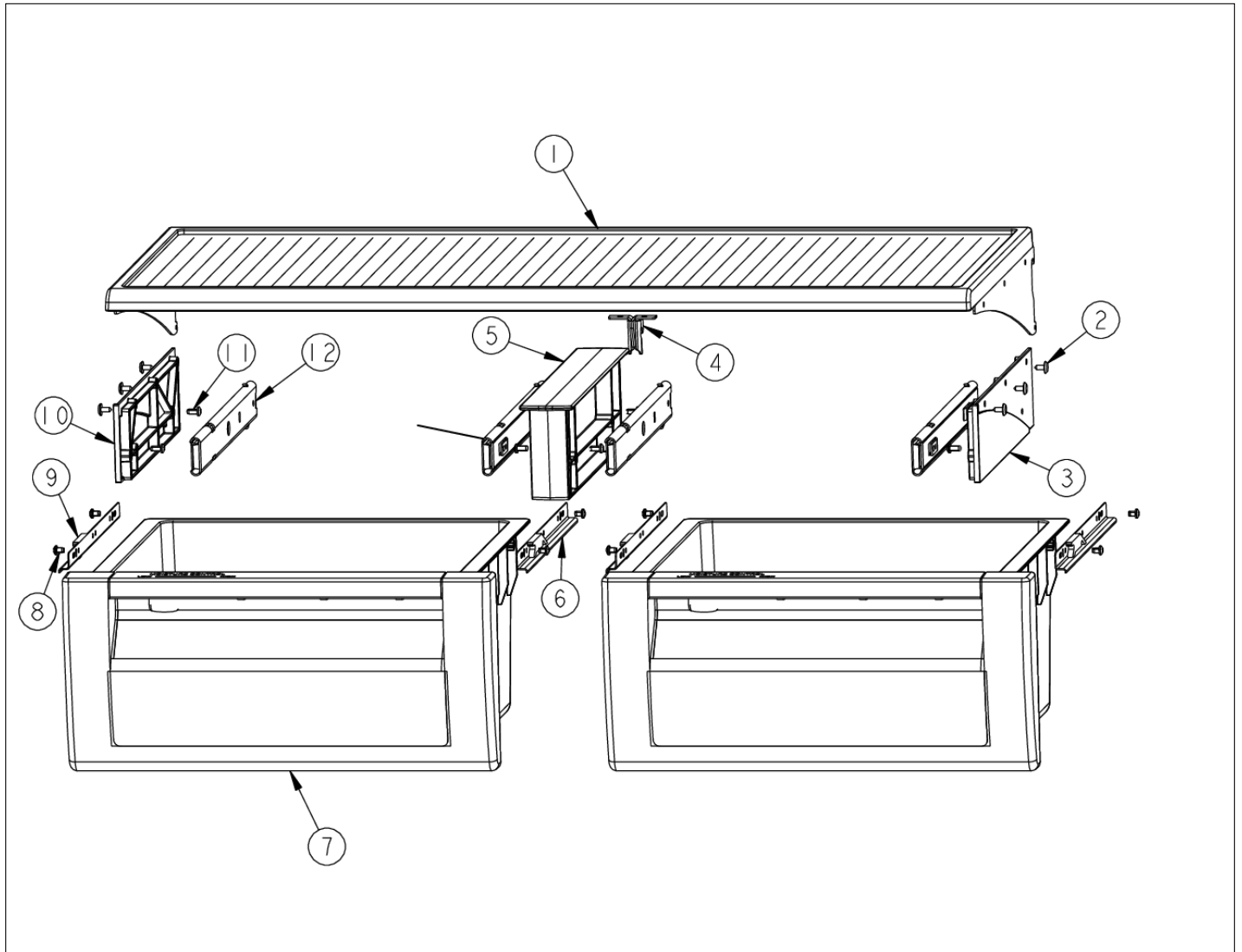
PE970609 CONTROL BOARD HARNESS





Item	Part No.	Name	Qty	Uom	NOTES
1	PE970609	HARNESS CONTROL BOARD 5 SERIES	1	EA	

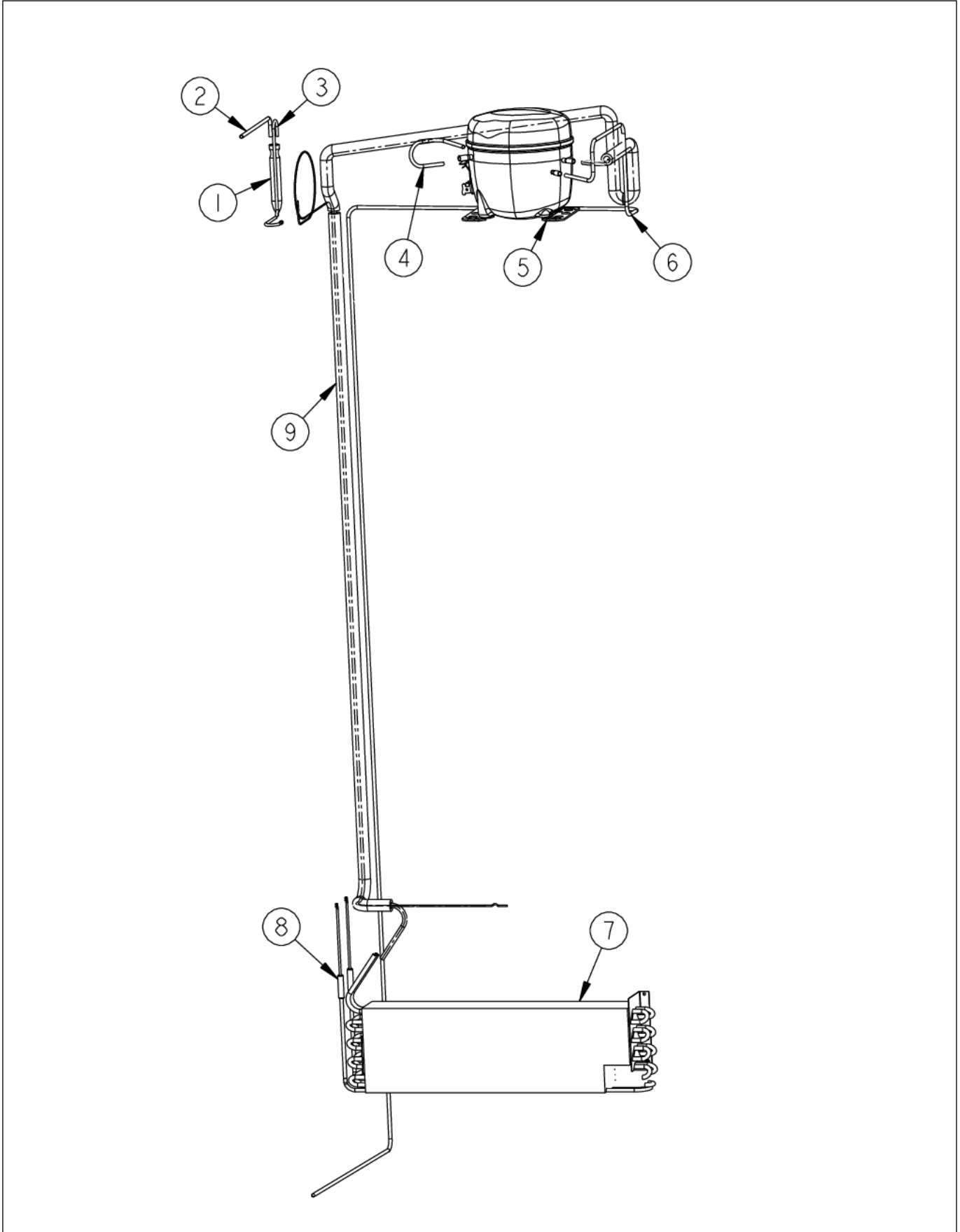
PRODUCE DRAWER





Item	Part No.	Name	Qty	Uom	NOTES
1	043203-000	SHELF ASM GLASS 36 AR 36 BM	1	EA	
2	PD020032	SRW-8(A)X3/8"PH.WFR HD 7/16DIA*NICL	1	EA	
3	044214-000	SUPPORT SLIDER R	1	EA	
4	12046701	CRISPER RAIL WELD	1	EA	
5	PK030439	GLIDE CENTER SUPPORT	1	EA	
6	PM910343	RAIL DRAWER R	1	EA	
7	PK930277	DRAWER PRODUCE ASM AR/BM 36	2	EA	
8	PD920162	SCR 8-16 PLASTITE PNP 1/4 S	1	EA	
9	PM910342	RAIL DRAWER L	1	EA	
10	044219-000	SUPPORT SLIDER L	1	EA	
11	PD920161	SCR 8-16 PLASTITE PNP 3/8 S	1	EA	
12	046255-000	SLIDE, DWR, SOFT CLOSE, LH	2	EA	
13	046235-000	SLIDE, DWR, SOFT CLOSE-RH	2	EA	

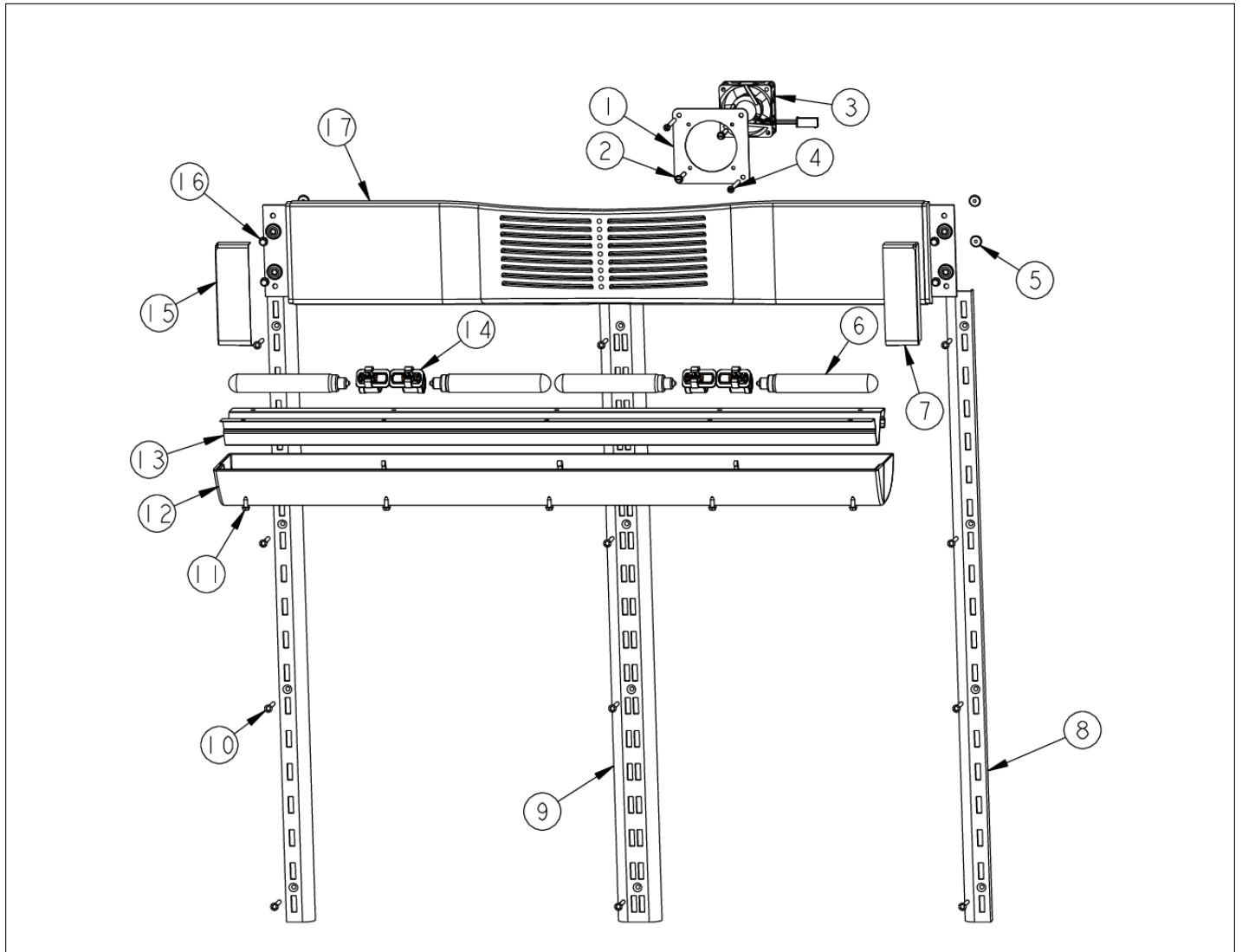
REFRIGERANT FLOW





Item	Part No.	Name	Qty	Uom	NOTES
1	PM010616	DRIER - HIGH SIDE	1	EA	
2	F2097740	TUBE PROCESS	1	EA	
3	F2096669	TUBE-DRIER COND	1	EA	
4	F2096507	TUBE-PROCESS GRN	1	EA	
5	G5097976	Compressor Assembly (Includes Drier)	1	EA	
6	001022-000	TUBE DISCHARGE BM 36	1	EA	
7	PM910178	BOTTOM MOUNT EVAP	1	EA	
8	PJ910030	BOTTOM MOUNT EVAP HEATER	1	EA	
9	031006-000	HEAT EXCHANGER ASM BM 36	1	EA	

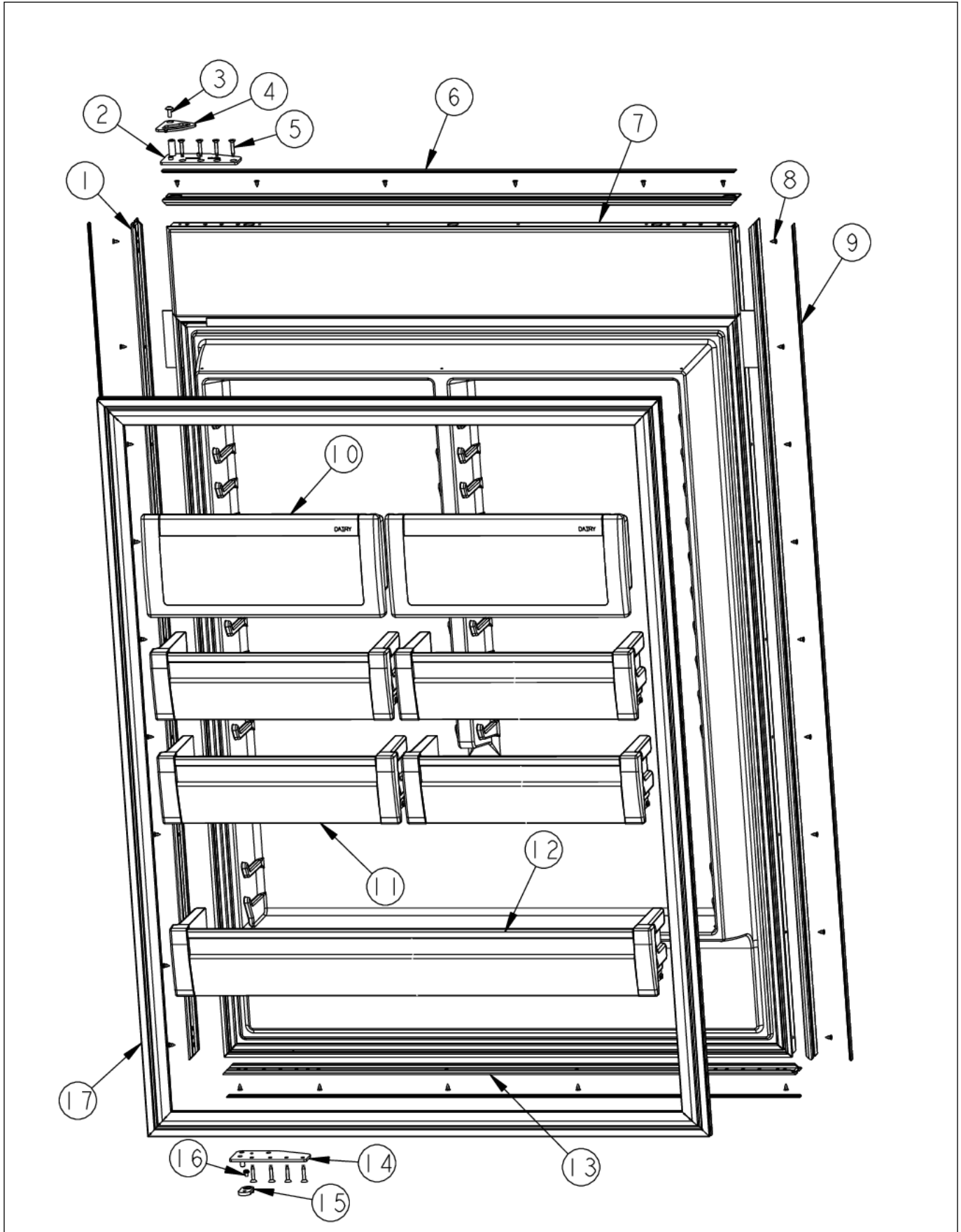
REFRIGERATOR COMPARTMENT





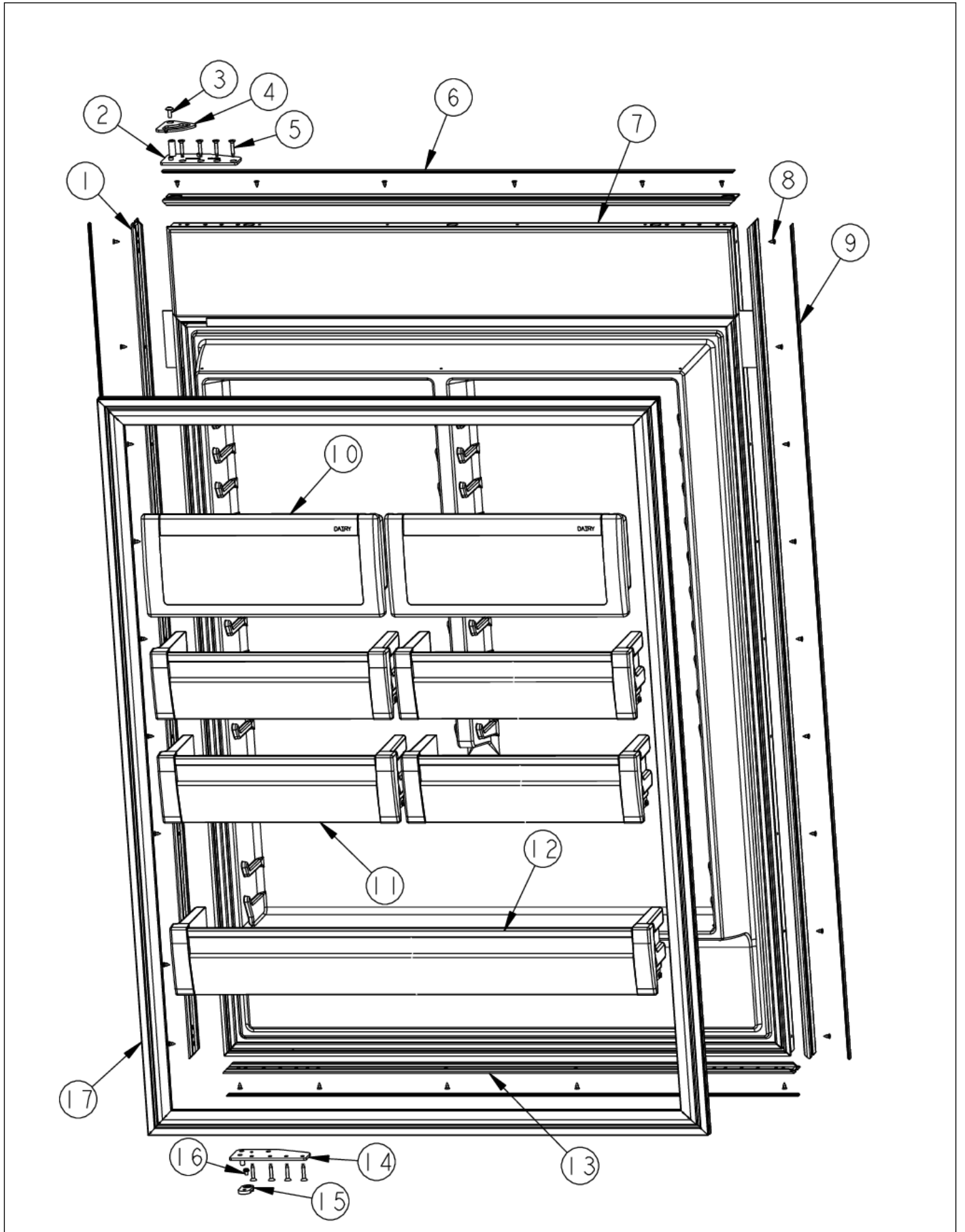
Item	Part No.	Name	Qty	Uom	NOTES
1	K2096475	FAN MOUNTING PLATE	1	EA	
2	PD020188	SCR 8-18 BT HXWS 1 1/2	1	EA	
3	004551-000	AXIAL FAN	1	EA	
Comments for Part Num. 004551-000					
gboltz@VikingRange.com on Jul 21, 2016					
View service bulletin TR-0052-SP before ordering fan, if applicable order kit instead of fan					
4	M0221913	SCREW-SM	1	EA	
5	M0581001	GROMMET-SCREW VM0581001	1	EA	
6	004528-000	LAMP, 40 WATT CLEAR LIGHT	1	EA	
7	12070201	CAP-R FAN COVER V12070201	1	EA	
8	PK020074	LADDER SIDE BTM 36	1	EA	
9	12071501	LADDER-CTR CANT V12071501	1	EA	
10	M0238535	SCREW-SM	1	EA	
11	PD020194	SCREW-SM	1	EA	
12	020123-000	COVER LIGHT ASM AF AR BM 36	1	EA	
13	L20910705	BRACKET LIGHT AR 36	1	EA	
14	PE950125	LIGHT SOCKET	1	EA	
15	12070202	CAP-L FAN COVER V12070202	1	EA	
16	PD020195	SCR 8-18 X 5/8	1	EA	
17	12067401	FAN COVER	1	EA	

REFRIGERATOR DOOR FOAM AREA





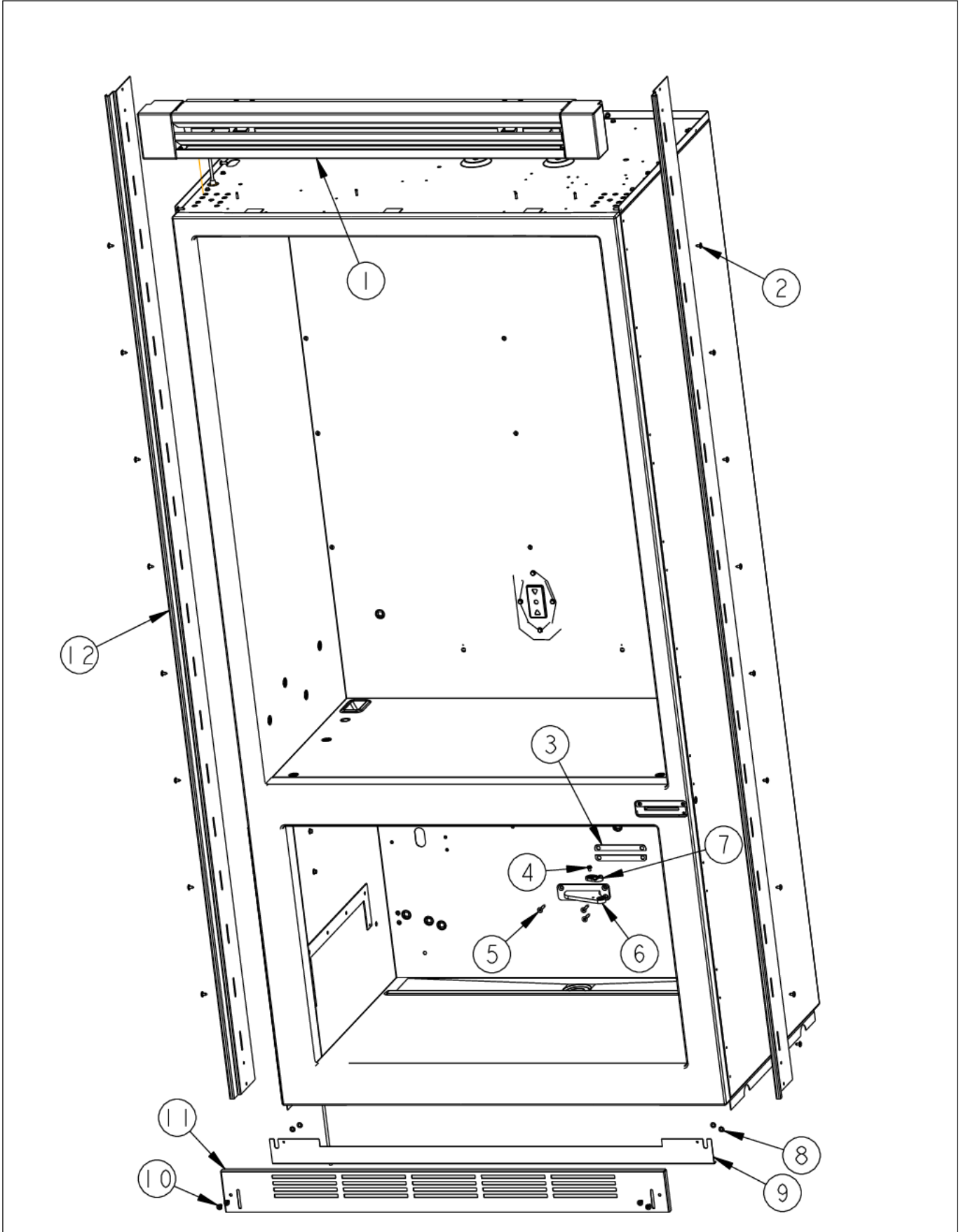
Item	Part No.	Name	Qty	Uom	NOTES
1	PM910101	FRAME DOOR BM FF SIDE 12063503	1	EA	
2	031383-000	PIVOT PLATE ASM RH UP FOL BM	1	EA	
2	042386-000	FOL RH, 4 HOLE PIVOT PLATE KIT	1	EA	
Not Shown	NOTE	(MANUFACTURED AFTER 8/23/2006)		EA	
2	PC020285	PIVOT PL ASM LH UP FOL	1	EA	
2	042385-000	FOL LH, BM 4 Hole Pivot Plate Kit	1	EA	
Not Shown	NOTE	(MANUFACTURED AFTER 8/23/2006)		EA	
3	PD020234	SCREW THP 10-32 X .500 SS BO	1	EA	
4	PC020269	DOOR STOP 36 BM	1	EA	
5	PD920174	10X7/8 PHILLIPS SMA TRI LOBE SA	1	EA	
6	PM910094	Screw Cover Insert, Top/Btm (Ref.) - Btm (Frz.)	1	EA	
7	G32915034	DOOR ASM 36BM FF	1	EA	
Not Shown	NOTE	(Includes Gasket)		EA	
8	M0215704	SCREW-SM	1	EA	
9	PM910096	Screw Cover Insert, Side (Ref.)	1	EA	
10	V12097404	Dairy Module Asm (BM)	1	EA	
11	036882-000	DOORBIN ASM FF 36 HALF	1	EA	
12	036884-000	DOORBIN ASM FF 36 FULL	1	EA	
13	PM010609	TRIM DOOR 36 TOP BOT FOL	1	EA	
14	PC020286	PIVOT PL ASM RH LW FOL	1	EA	
Not Shown	PC020287	PIVOT PL ASM LH LW FOL	1	EA	
15	PC020296	CAM DOOR CLOSURE TOP BLACK	1	EA	
16	PD020187	SCR 8-32 MCH HXWS 1/4 S ZN	1	EA	
17	001905-000	SERV REFRIGERATOR GASKET FACE CHARGE	1	EA	
Not Shown	NOTE	(BEFORE 06-10-08)		EA	





Item	Part No.	Name	Qty	Uom	NOTES
17	005449-000	GASKET,ASM,36,BM FF VID# 602711707-17	1	EA	
Not Shown	NOTE	(AFTER 06-10-08)		EA	

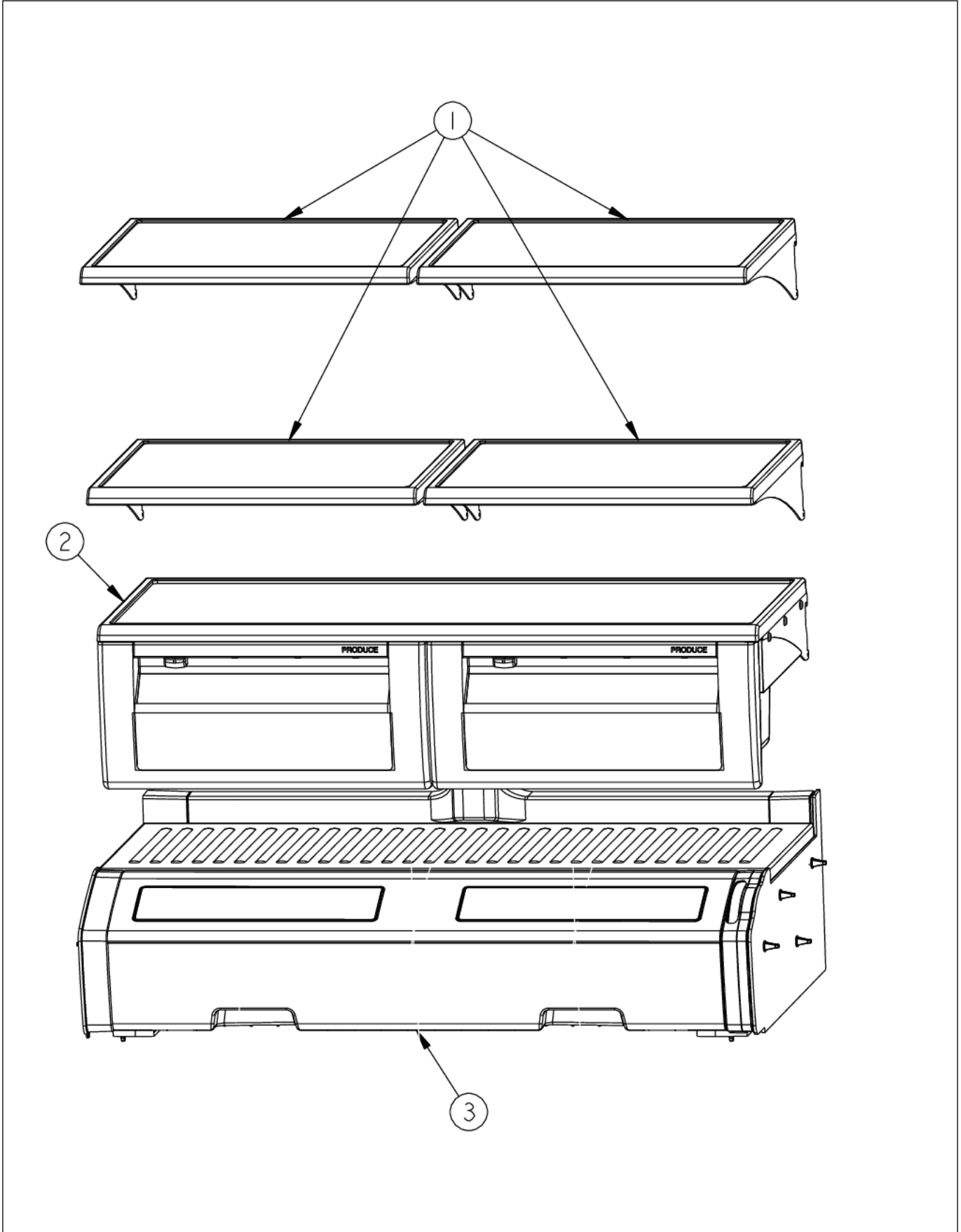
UNIT EXTERIOR





Item	Part No.	Name	Qty	Uom	NOTES
1	G32913048	GRILLE ASM BM 36 FOL L	1	EA	
Not Shown	NOTE	(FOR BREAKDOWN SEE PAGE 012)		EA	
Not Shown	G32913047	GRILLE ASM BM 36 FOL R	1	EA	
Not Shown	NOTE	(FOR BREAKDOWN SEE PAGE 012)		EA	
2	M0220417	SCREW-TC	1	EA	
3	K10911852	SHIM-CENTER HINGE	1	EA	
4	PD020187	SCR 8-32 MCH HXWS 1/4 S ZN	1	EA	
5	PD920174	10X7/8 PHILLIPS SMA TRI LOBE SA	1	EA	
6	PC020250	HINGE ASM, LOWER, BM, RH (PRO/DES)	1	EA	
Not Shown	PC920040	RC LOWER HINGE ASSY, LH DFBB	1	EA	
7	PC020228	CAM DOOR CLOSURE BOTTOM BLACK	1	EA	
8	40370P01	NYLON FLAT WASHER V40370P01	1	EA	
9	000147-002	LOWER KICK PLATE	1	EA	
10	M0210443	SCREW-E SM VM0210443	1	EA	
11	C9099972BK	TOE GRILLE-VENTED BM 36	1	EA	
NI	044439-000	GRILLE TOE ASM BM 36	1	EA	
Not Shown	NOTE	(Includes Items 8 - 11)		EA	
12	PK920066	TRIM, EXTRU, SIDE DES	1	EA	

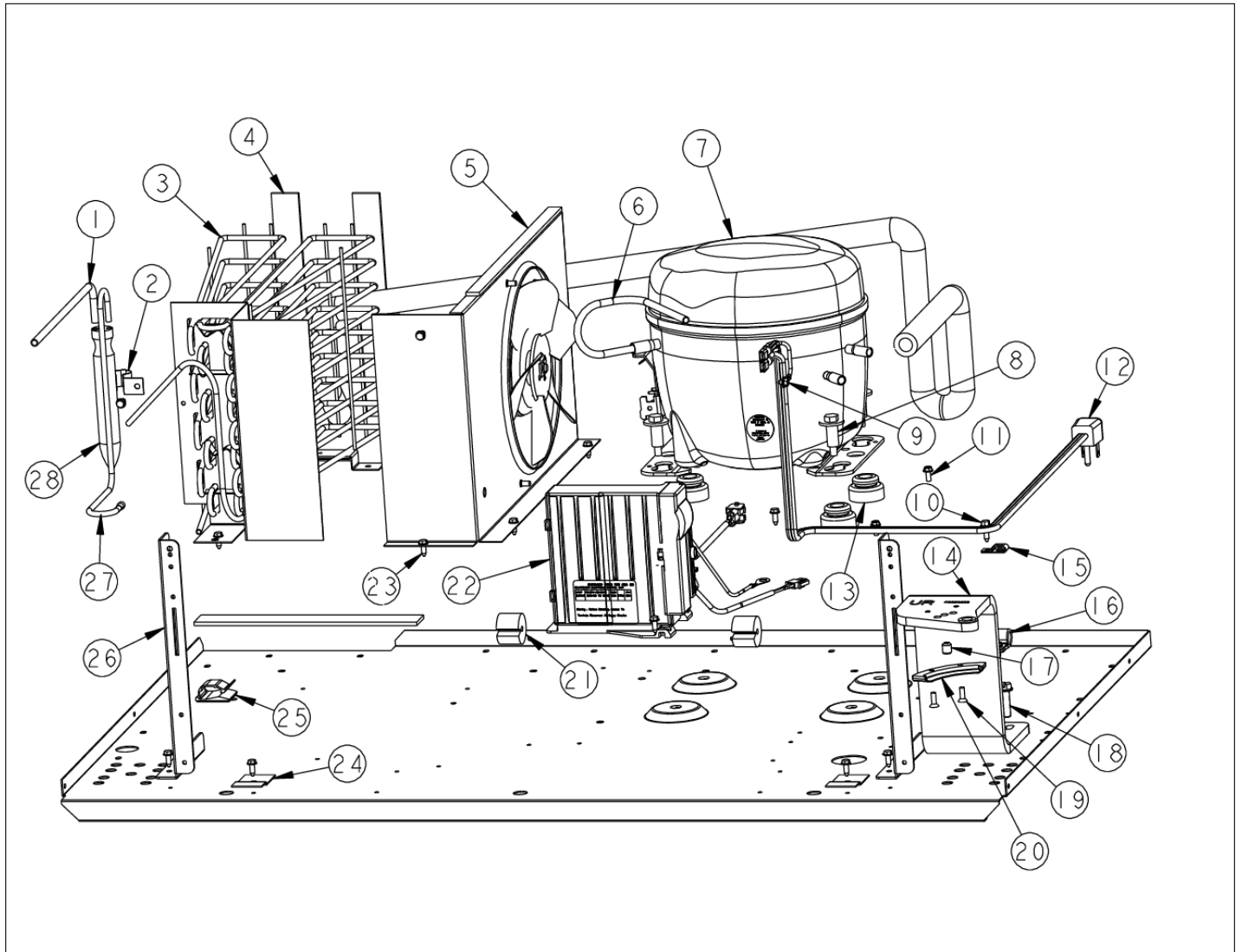
UNIT SHELVING





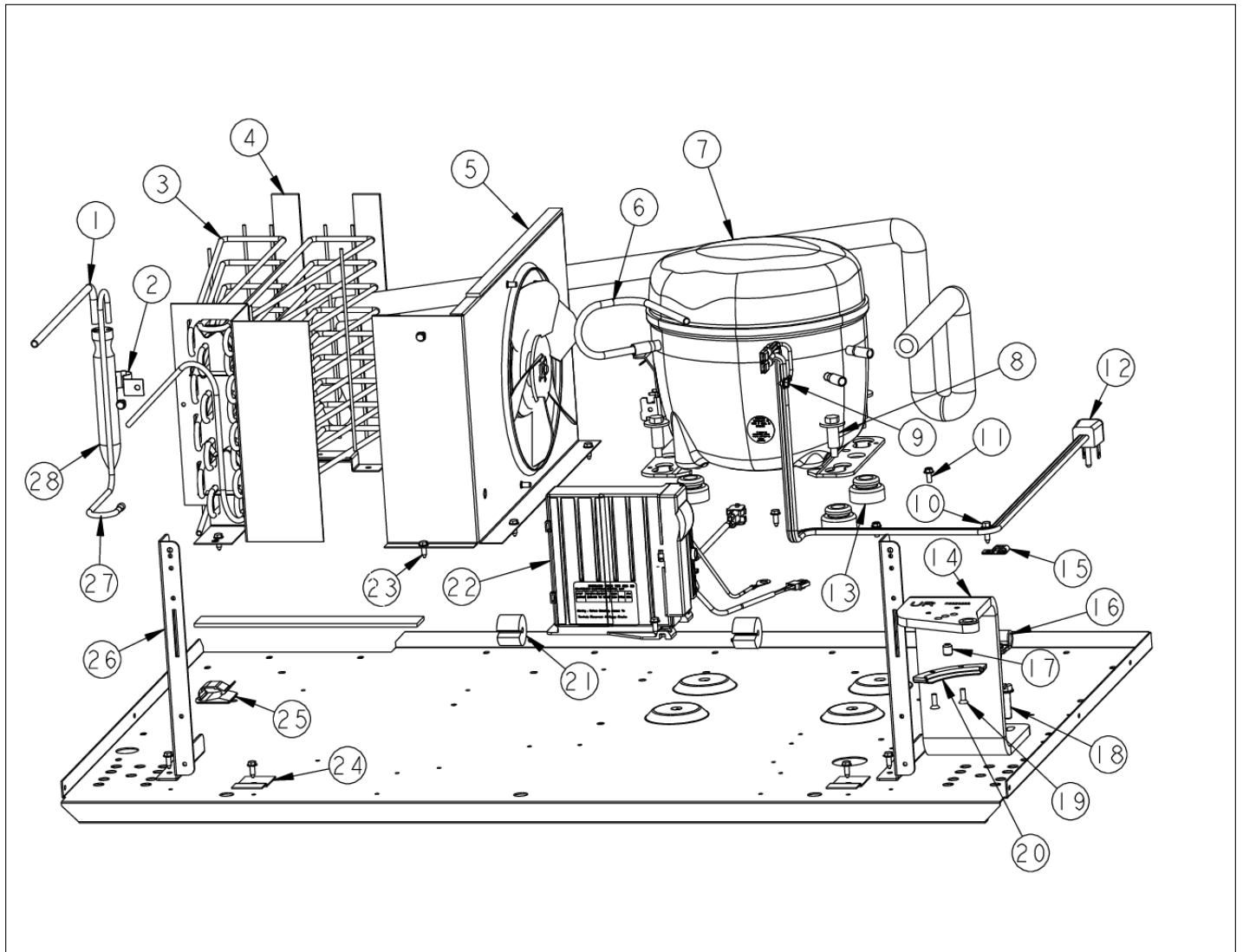
Item	Part No.	Name	Qty	Uom	NOTES
1	PM910351	SHELF ASM GLASS BM 36 FF	1	EA	
2	Produce Drawer	SEE PAGE 003 FOR BREAKDOWN	1	EA	Not available online / Call for pricing and availability
3	CONVERTIBLE MEAT SAVOR	FOR BREAKDOWN SEE PAGE 003	1	EA	

UPPER UNIT AREA





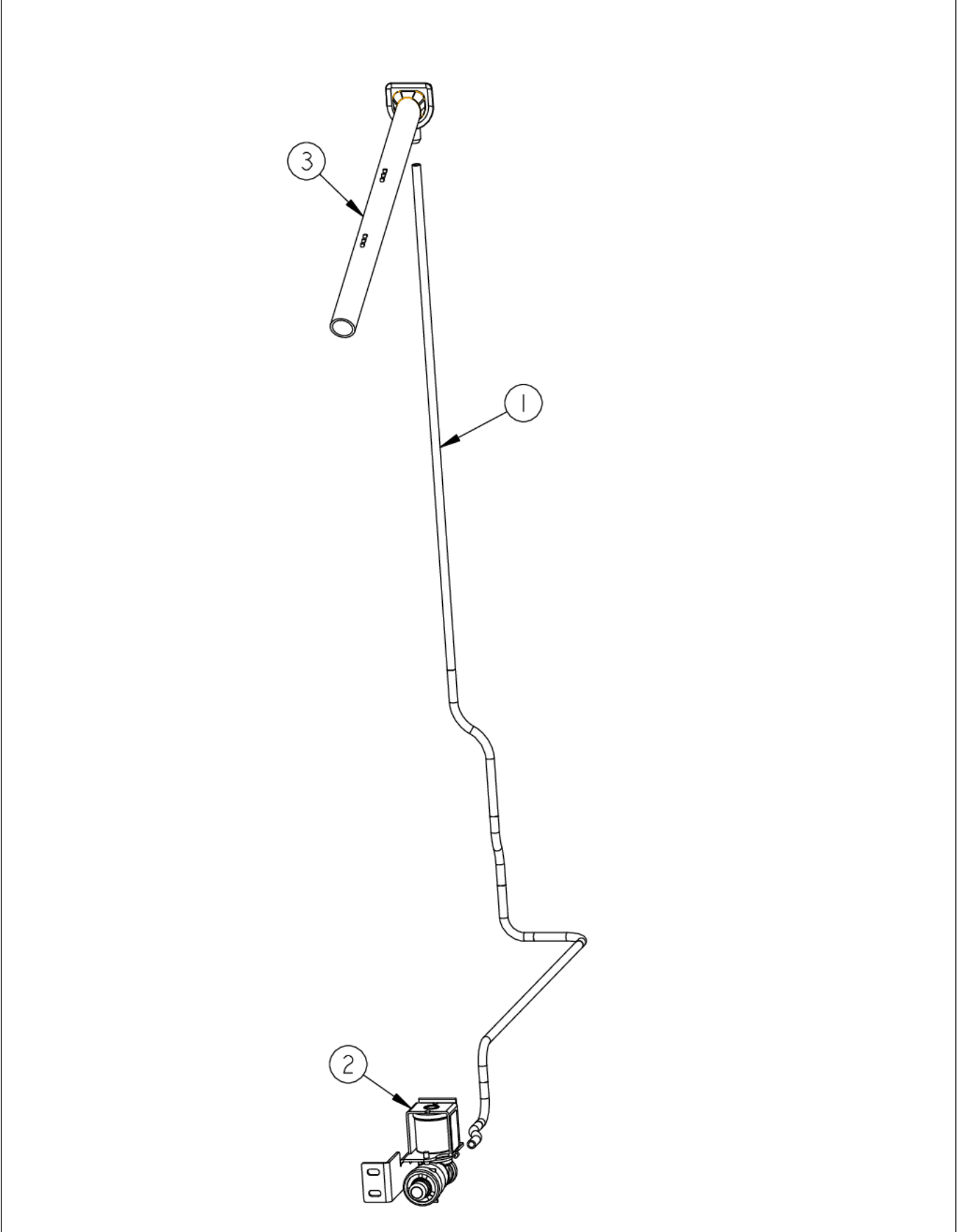
Item	Part No.	Name	Qty	Uom	NOTES
1	F2097740	TUBE PROCESS	1	EA	
2	10547001	CLIP-DRIER V10547001	1	EA	
3	PB920171	CONDENSER ASM	1	EA	
4	A3189370	GASKET-FOAM VA3189370	1	EA	
5	G5096494	COND. FAN ASSY	1	EA	
6	F2096507	TUBE-PROCESS GRN	1	EA	
7	G5097976	Compressor Assembly (Includes Drier)	1	EA	
8	M0221523	SCREW - SHLDR	1	EA	
9	M0211014	SCREW-SM	1	EA	Not available online / Call for pricing and availability
10	PD020195	SCR 8-18 X 5/8	1	EA	
11	PD020010	10 X 3/8 GREEN GROUNDING SCREW	1	EA	
12	10916507	CORD-POWER 5 SERIES	1	EA	
13	10835901	GROMMET RUBBER V10835901	1	EA	
14	PC020238	COBRA HINGE ASM 36 BM UR	1	EA	
Not Shown	PC020256	PLATE HINGE ASM 36 BM UL	1	EA	
15	002573-000	CLAMP CORD	1	EA	
16	PD030118	INSULATED CLAMP	1	EA	
17	PC020242	SCR HEX SKET SET .3125-18CUP PT	1	EA	
18	000570-000	FASTENER, BOLT, 1/4-20 IHXWS 1" S ZN SER	1	EA	
19	PD020226	SCREW FHP 8-32 X .500 SS BO	1	EA	
20	PK030477	RETAINER DOOR STOP	1	EA	
21	10699601	DAMPER-TUBING .8	1	EA	
22	011666-000	INVERTER,CMPR,ASM	1	EA	
Comments for Part Num. 011666-000					
gboltz@VikingRange.com on Aug 9, 2018					
See 2018-01P Parts Bulletin					
23	PD020194	SCREW-SM	1	EA	





Item	Part No.	Name	Qty	Uom	NOTES
24	K2096943	PANEL BRACKET	1	EA	
25	M0104102	CLIP-CORD RED	1	EA	
26	K20912569	BRACKET GRILLE SUPPORT	1	EA	
27	F2096669	TUBE-DRIER COND	1	EA	
28	PM010616	DRIER - HIGH SIDE	1	EA	

WATER FLOW





Item	Part No.	Name	Qty	Uom	NOTES
1	PB020305	TUBING PLASTIC - IM WATERLINE BM	1	EA	
2	PA970012	SINGLE WATER VALVE	1	EA	
3	009216-000	FILL TUBE BM	1	EA	



Appendix A:Pages Index

10916507 POWER CORD 1
CONTROL AREA 2
CONVERTIBLE MEAT SAVER 3
EVAPORATOR AREA 4
FREEZER COMPARTMENT 5
FREEZER DOOR FOAM AREA 6
ICE MAKER AREA 7
LOWER UNIT AREA 8
MC COVER AND UPPER GRILLE 9
PE070785 HIGH VOLT HARNESS 10
PE970464 LOW VOLT HARNESS 11
PE970593 CABINET HARNESS 12
PE970609 CONTROL BOARD HARNESS 13
PRODUCE DRAWER 14
REFRIGERANT FLOW 15
REFRIGERATOR COMPARTMENT 16
REFRIGERATOR DOOR FOAM AREA 17
UNIT EXTERIOR 18
UNIT SHELVING 19
UPPER UNIT AREA 20
WATER FLOW 21



Appendix B:Parts Index

000147-002	18	060891-000	8
000247-000	5	10253003	7
000570-000	20	10428101	4
001022-000	15	10547001	20
001091-000	6	10656101	4
001904-000	6	10699601	20
001905-000	17	10835901	20
002035-000	9	10916507	1, 20
002573-000	20	12046701	14
003471-000	5	12059901	4
003995-000	6	12063301	5
004528-000	5, 16	12064001	2
004551-000	8, 16	12067301	4
005319-000	2	12067401	16
005396-000	2	12070201	16
005449-000	17	12070202	16
005450-000	6	12071501	16
009216-000	21	12074501	5
011666-000	20	12088001	7
020123-000	16	12106101	7
023005-000	6	40370P01	18
031006-000	15	A1017202	4
031383-000	17	A3030361	2
036882-000	17	A3189370	20
036884-000	17	A4554806	8, 9
042385-000	17	A4554817	2, 8
042386-000	17	A4554818	7
042922-000	9	B20915627	8
043203-000	14	C8983701	5
044214-000	14	C9099972BK	18
044219-000	14	F20915696	8
044232-000	3	F2096507	15, 20
044384-000	3	F2096669	15, 20
044439-000	18	F2097740	15, 20
046235-000	14	G32913047	18
046255-000	14	G32913048	18
057856-000	6	G32915034	17
057857-000	6	G50911850	7
058966-000	4	G50911853	8
060890-000	8	G50916475	6
		G5096494	20



DFBB363JMAGR SERIES

G5097976	15, 20	M0220417	8, 18
K10911852	18	M0221523	20
K20910060	2	M0221913	16
K20910061	2	M0223729	5
K20911831	8	M0224128	2, 9
K20912569	20	M0232929	4, 5
K20913788	8	M0238535	16
K20915000	2	M0238846	2, 5
K20915675	9	M0253916	6, 8
K20915902	9	M0274067	6
K20915952	8	M0288120	2
K2096475	16	M0327801	8
K2096943	20	M0581001	3, 4, 5, 16
K2097168	5	M0585504	2
K2097169	5	M0585506	2
K2097172	5	PA970012	8, 21
K2098044	8	PB020305	21
K2098096	8	PB070355	9
K2098398	5	PB070358	9
K2098654	2	PB070359	9
K2099402	2	PB910171	9
K2099455	9	PB920171	20
K2099459	9	PC020228	18
K2099460	9	PC020238	20
K2099470	9	PC020242	20
K2099471	9	PC020250	18
K2099931	9	PC020256	20
K2099933	9	PC020269	17
L20910705	16	PC020285	17
L2098313	5	PC020286	17
L21910017	4	PC020287	17
M0104102	8, 20	PC020296	17
M0104106	2, 8	PC040010	2, 8
M0210443	18	PC080025	6
M0211014	5, 20	PC080027	6
M0211018	5	PC080028	6
M0211021	3	PC080030	6
M0213105	5	PC920040	18
M0213147	9	PD020010	20
M0215318	9	PD020013	2
M0215704	6, 17	PD020032	14



DFBB363JMAGR SERIES

PD020038	4	PK930175	3
PD020187	17, 18	PK930176	3
PD020188	16	PK930253	5
PD020189	7	PK930277	14
PD020193	4	PK930278	3
PD020194	2, 4, 5, 8, 9, 16, 20	PK930283	3
PD020195	3, 4, 16, 20	PK930284	3
PD020226	20	PK930286	3
PD020233	9	PK930348	8
PD020234	17	PK930388	3
PD020270	7	PM010581	9
PD020274	8	PM010609	17
PD030118	20	PM010616	15, 20
PD030146	8	PM010622	6
PD040157	9	PM010630	7
PD920161	14	PM910071	9
PD920162	3, 14	PM910072	9
PD920174	6, 17, 18	PM910094	6, 17
PE050248	8	PM910095	6
PE070728	2	PM910096	17
PE070785	10	PM910099	6
PE950122	2	PM910100	6
PE950125	5, 16	PM910101	17
PE950149	2	PM910108	6
PE950153	4	PM910168	4
PE950174	2	PM910172	6
PE970464	11	PM910178	4, 15
PE970593	12	PM910287	3
PE970609	13	PM910288	3
PJ910030	4, 15	PM910334	3
PK020074	16	PM910342	14
PK030439	14	PM910343	14
PK030458	2	PM910348	9
PK030459	2	PM910349	9
PK030477	20	PM910351	19
PK050004	9	PM910418	9
PK920066	18	PM910429	9
PK930056	7	Produce Drawer	19
PK930172	3	V12097404	17
PK930173	3	V12223207	3
PK930174	3		